



ACCESSORIES

1 - BUMPERS

2 - CHIMNEY RECOVERY AND FIXING

3 - FORKLIFT

4 - PNEUMATIC WHEELS

5 - RAPID FUEL CONNECTIONS

6 - ROTATING WHEELS

7 - LIFTING CRANES

8 - AIR FLAP FOR COMBUSTION

9 - PRE-HEATER FILTER

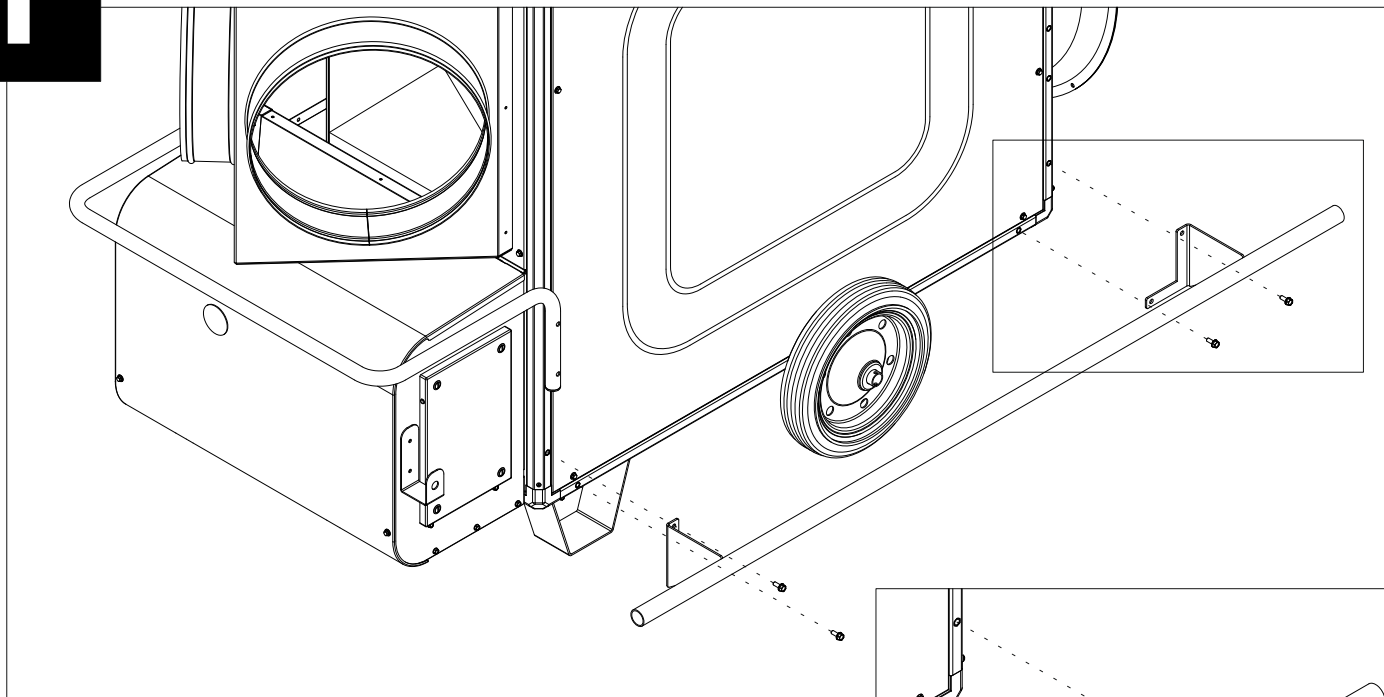
10 - FUEL TANK




11 - AIR RECIRCULATION SYSTEM

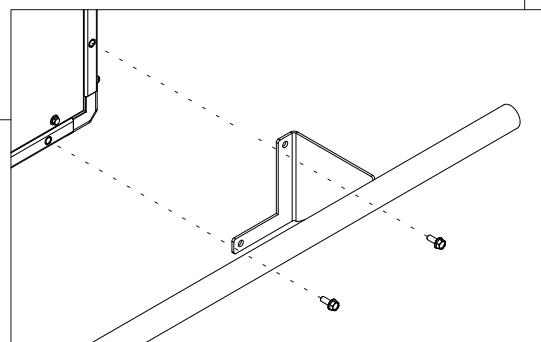
12 - AIR OUTLETS

1

BUMPERS KIT - BV471 (4240.560) - BV691 (4240.683)

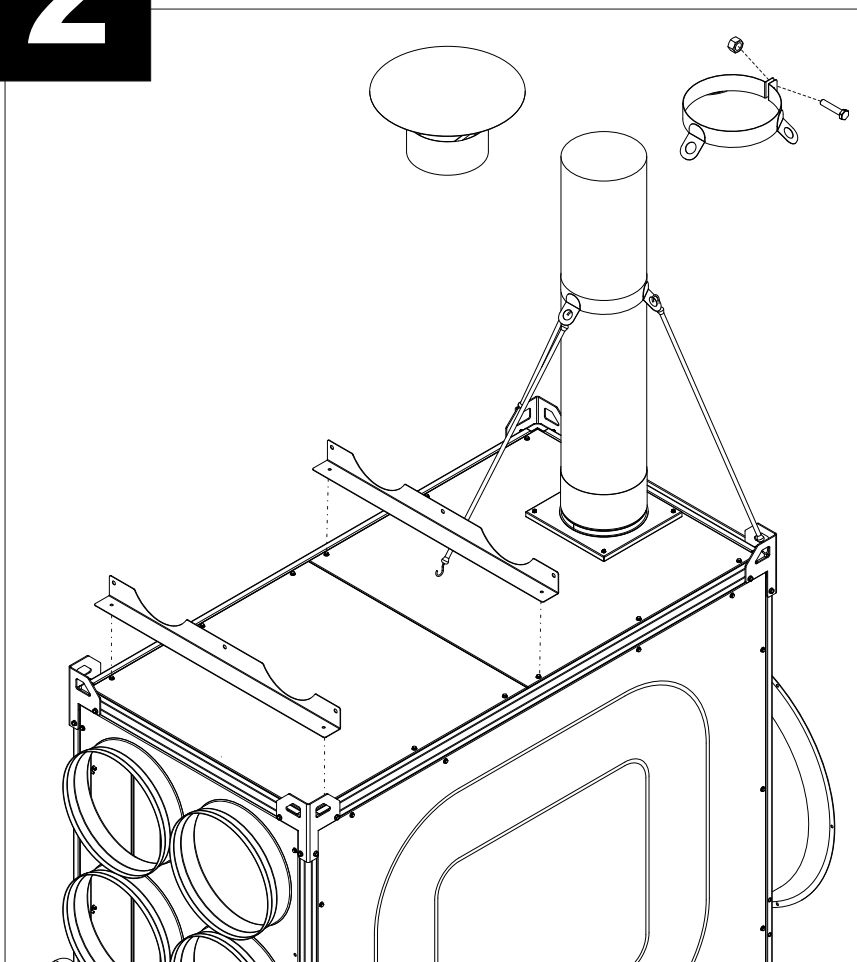


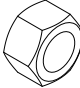
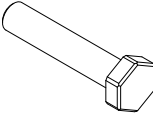
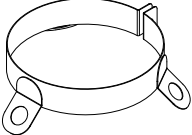
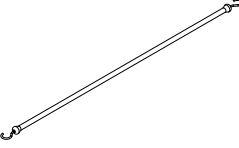
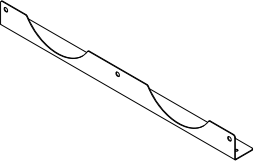
BUMPER - 2x	TUBE CAP - 4x	SCREW - 8x
		



2

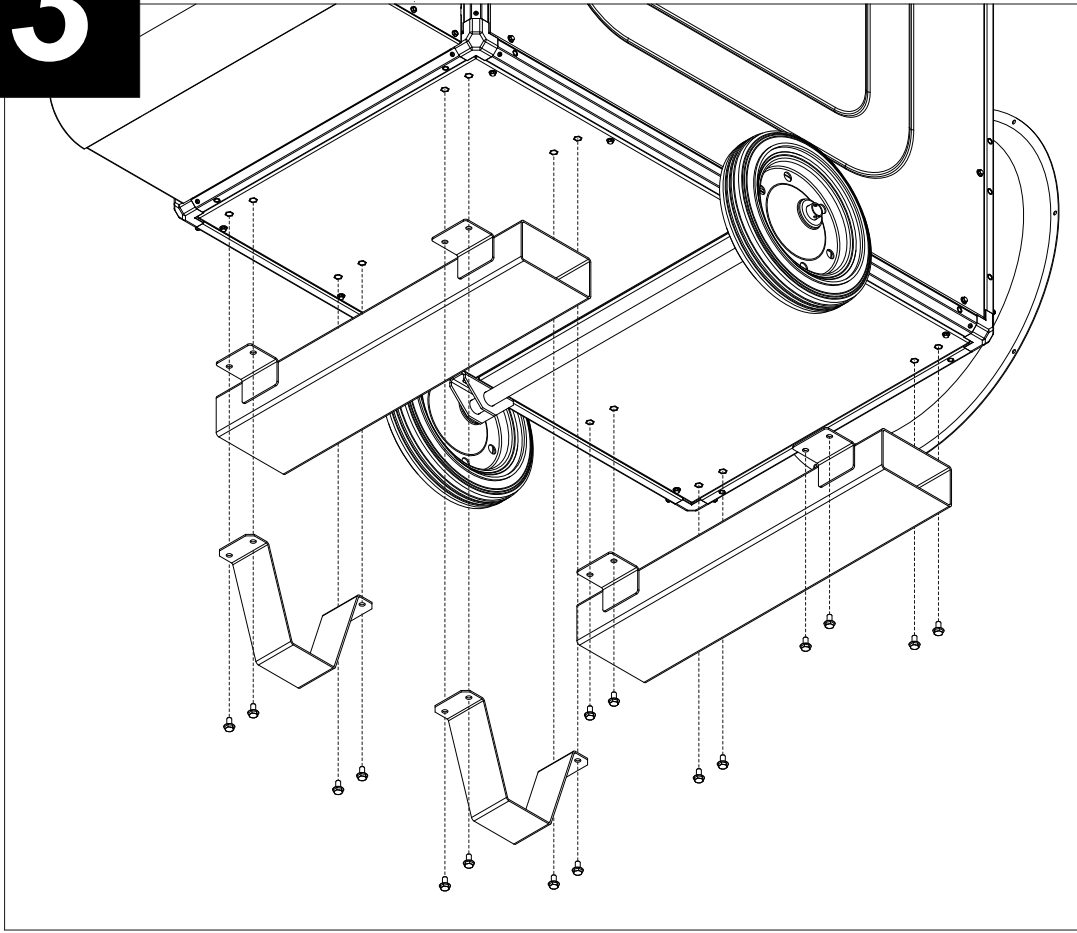
CHIMNEY KIT - BV471 (4240.567) - BV 691 (4240.682)



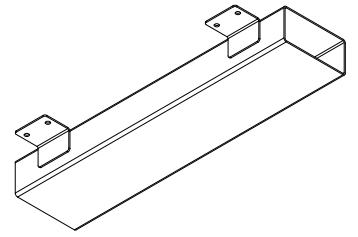
NUT - 1X	SCREW - 1X
	
CHIMNEY COLLAR - 1X	ELASTIC HOOK - 3X
	
BRACKET - 2X	
	

3

FORKLIFT BRACKET - BV471 (4240.576) - BV691 (4240.681)

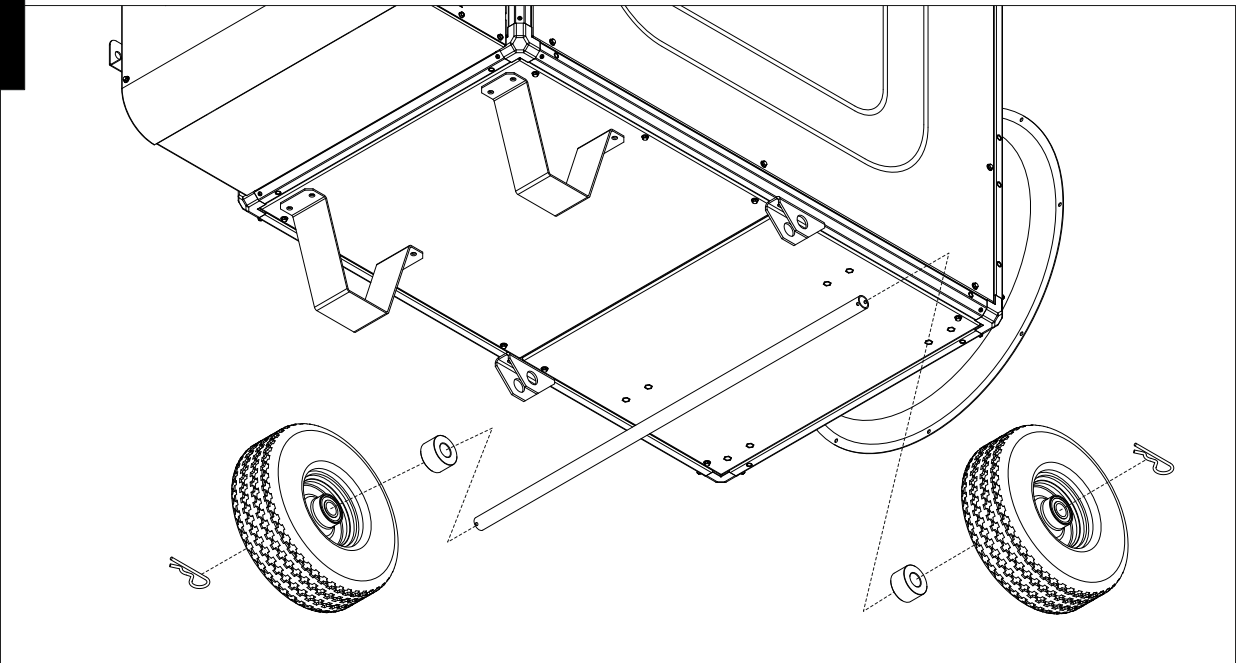


FORKLIFT BRACKET - 2X

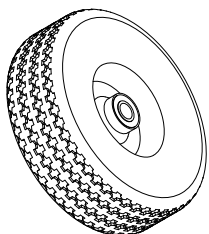


4

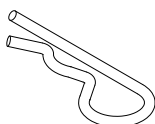
PNEUM. WHEELS - Bv471 (4240.585) - Bv691 (4240.684)



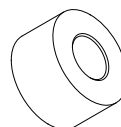
PNEUMATIC WHEEL - 2X



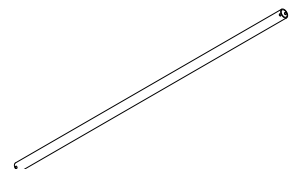
COTTER PIN - 2X



WHEEL SPACER - 2X

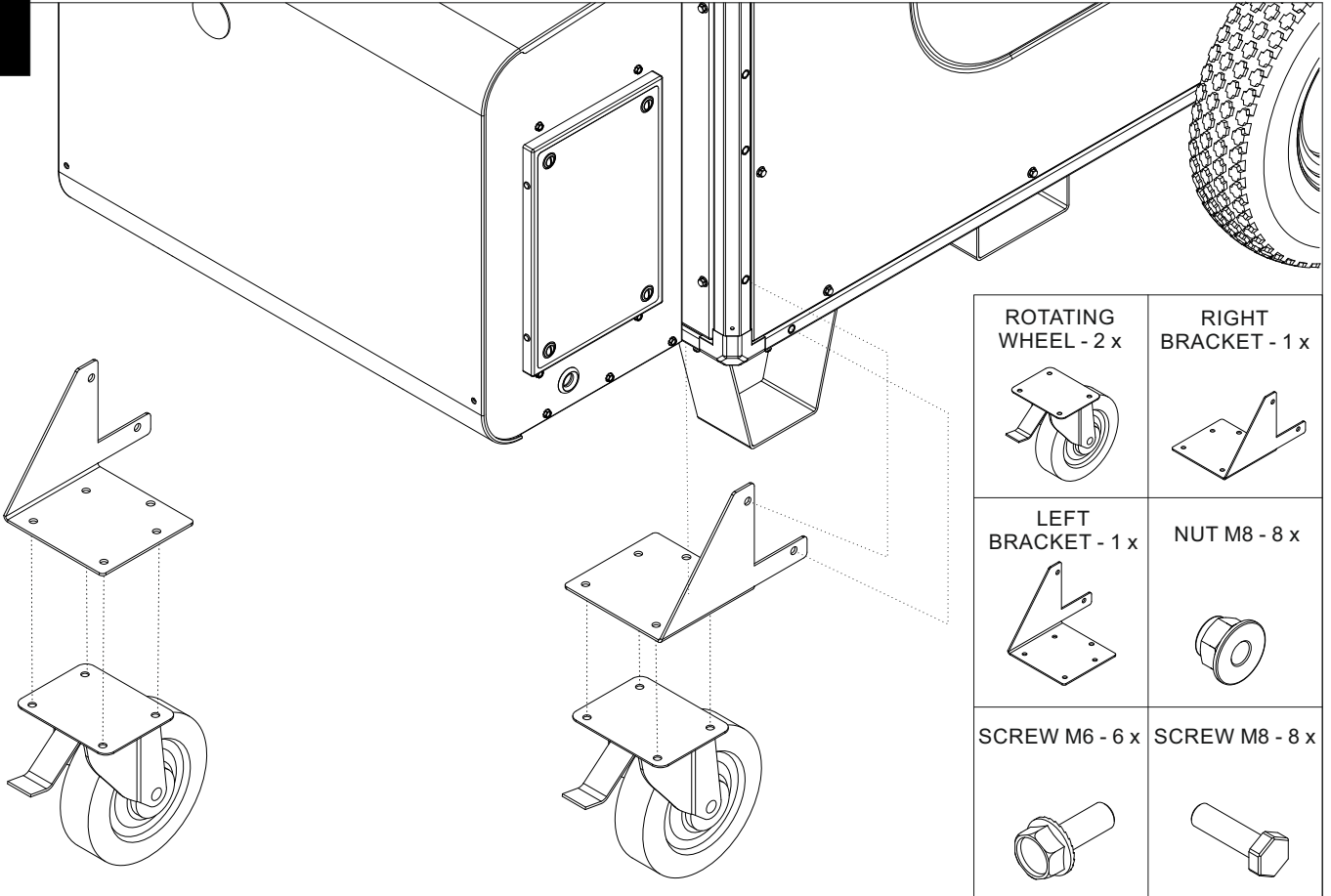


WHEELS ALXE - 1X



6

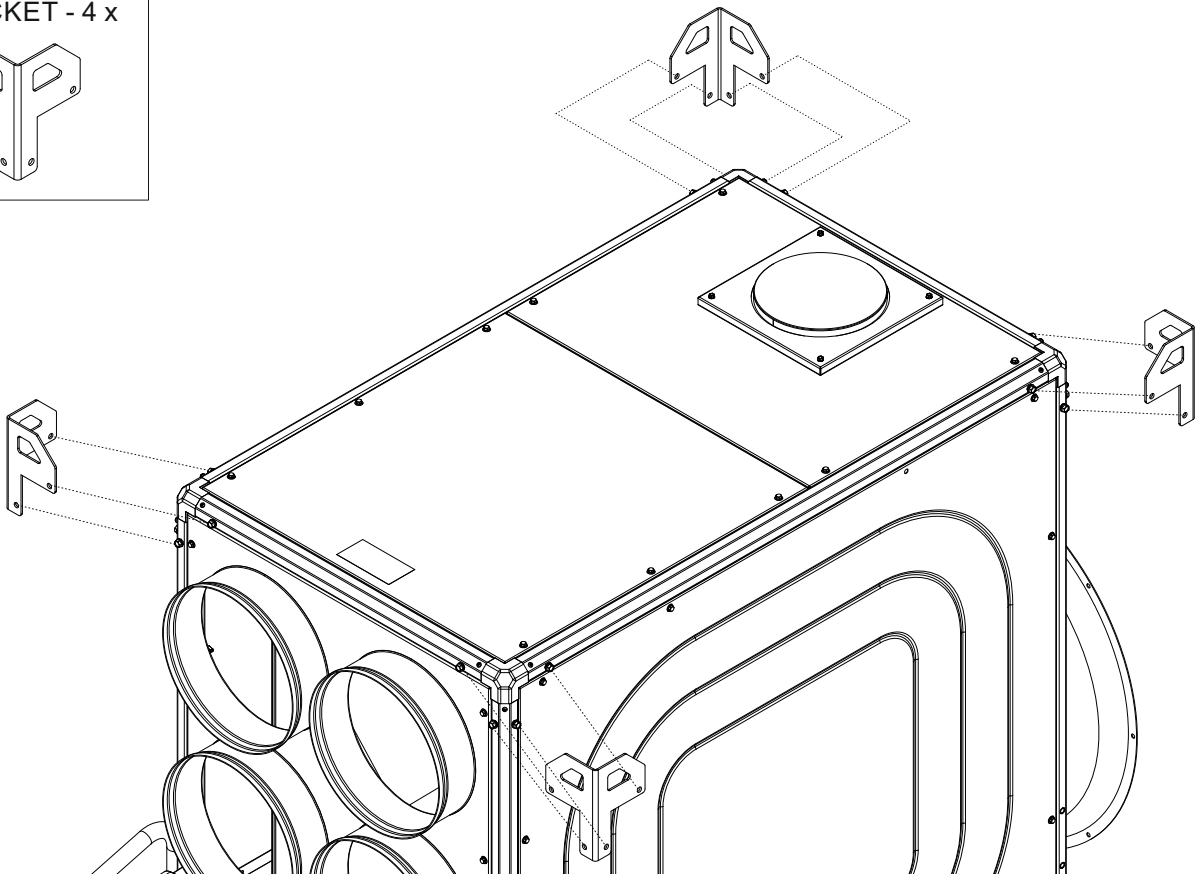
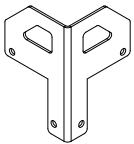
ROTATING WHEELS - BV471 (4240.598) - BV691 (4240.667)



7

LIFTING BRACKETS - BV471-BV691 (4240.738)

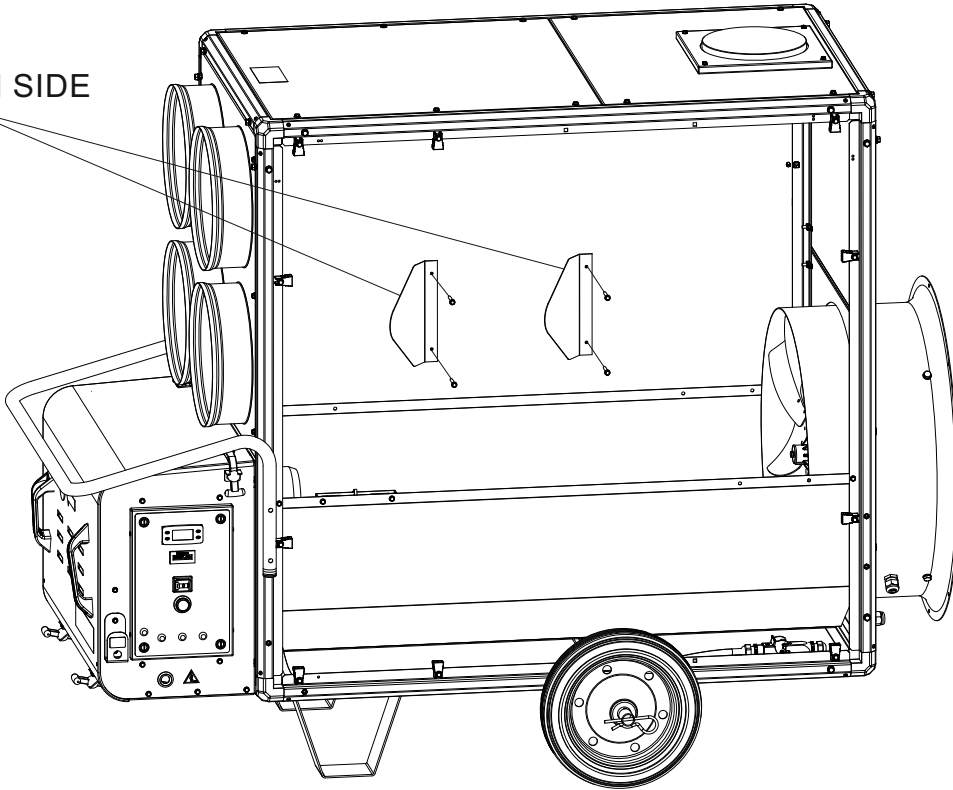
BRACKET - 4 x



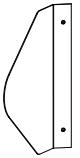
8

AIR FLAPS - BV471-BV691 (4240.739)

2x FLAPS
ON EACH SIDE



FLAP - 4 x

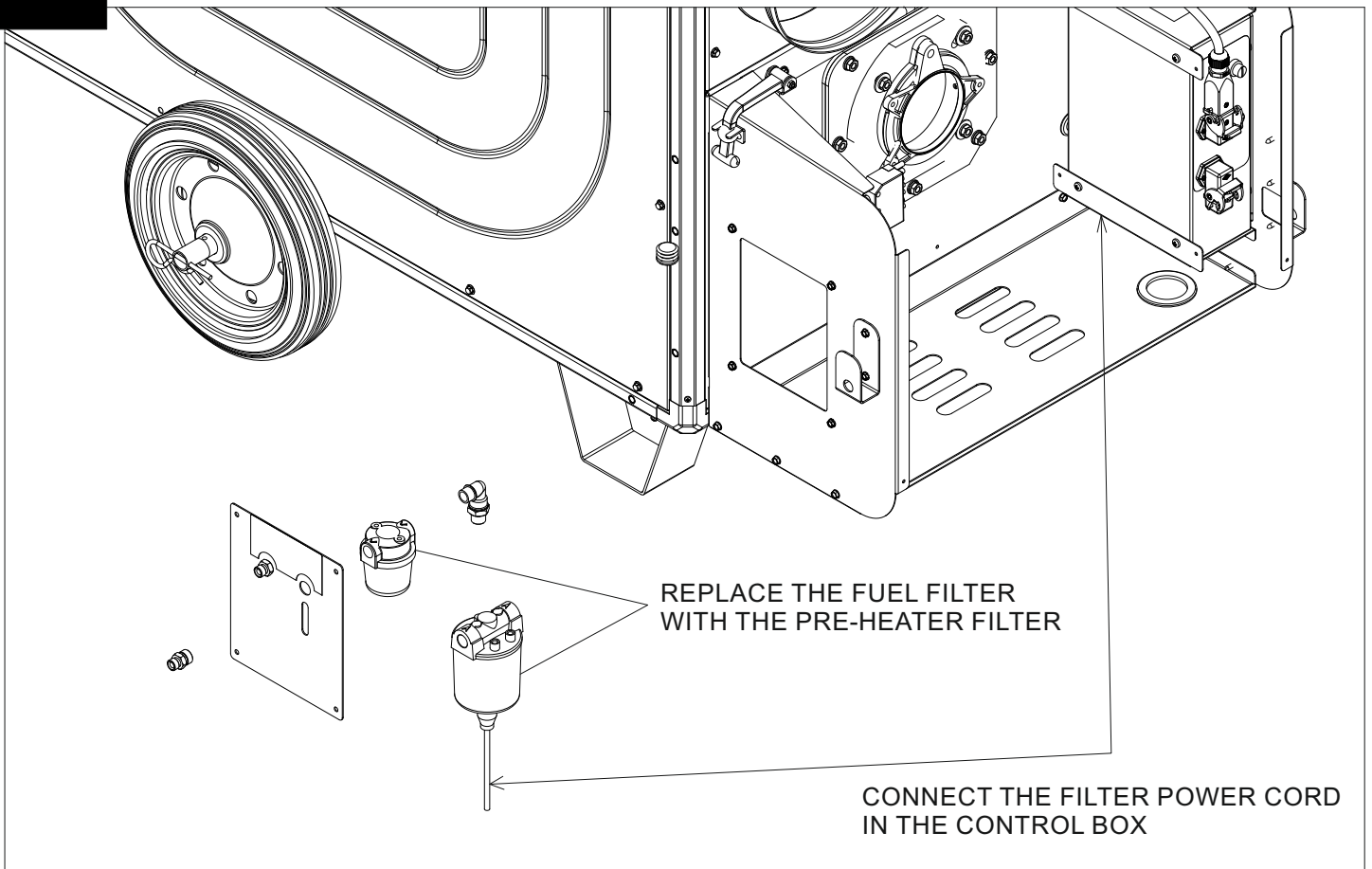


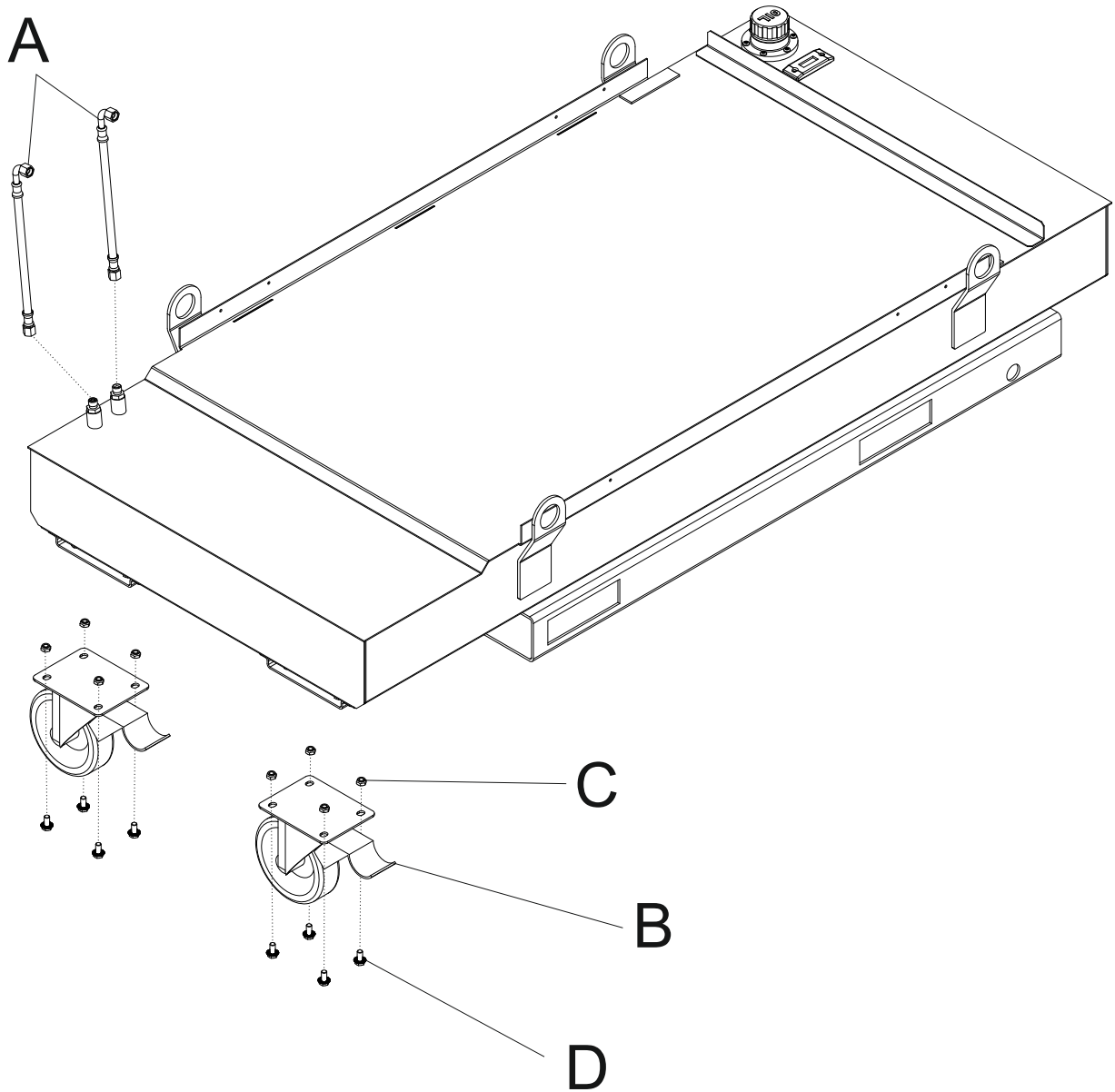
SCREW
16 x


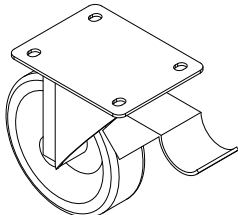

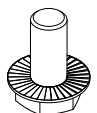
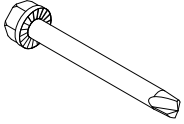


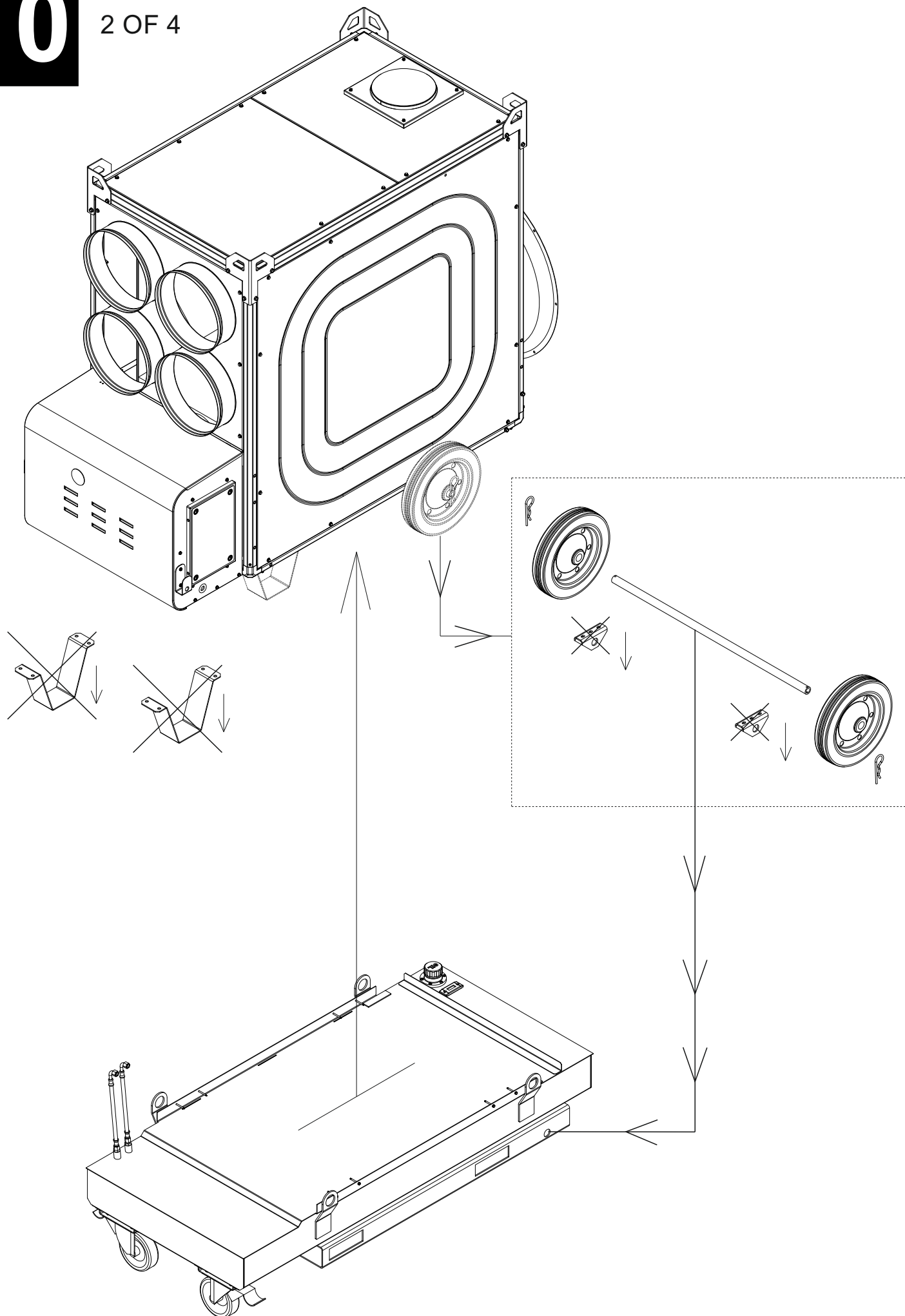
9

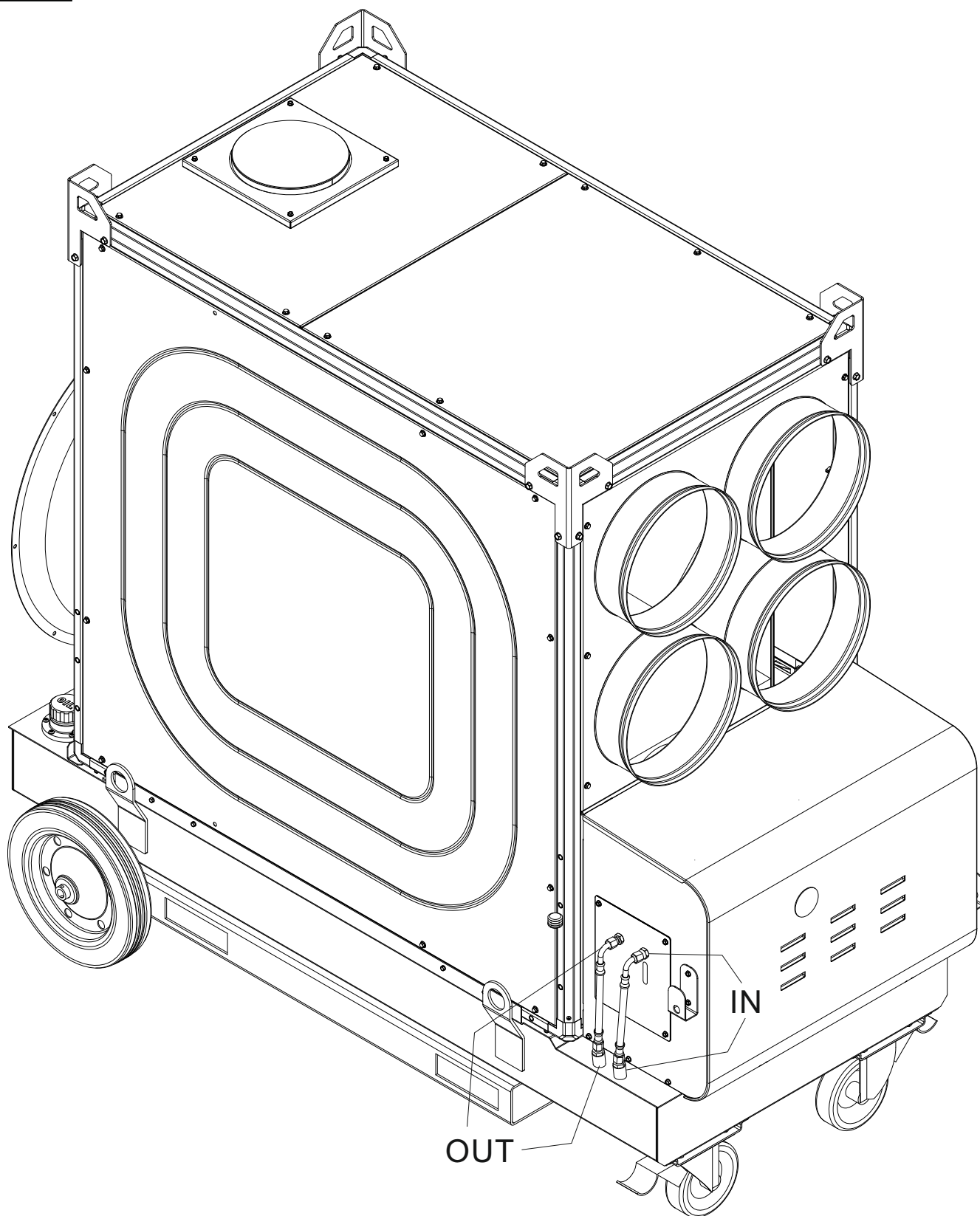
FUEL PRE-HEATER - BV471-BV691 (4240.740)





A	B	C	D	E
				
x°2	x°2	x°8	x°8	x°8

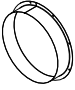


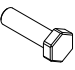

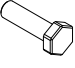



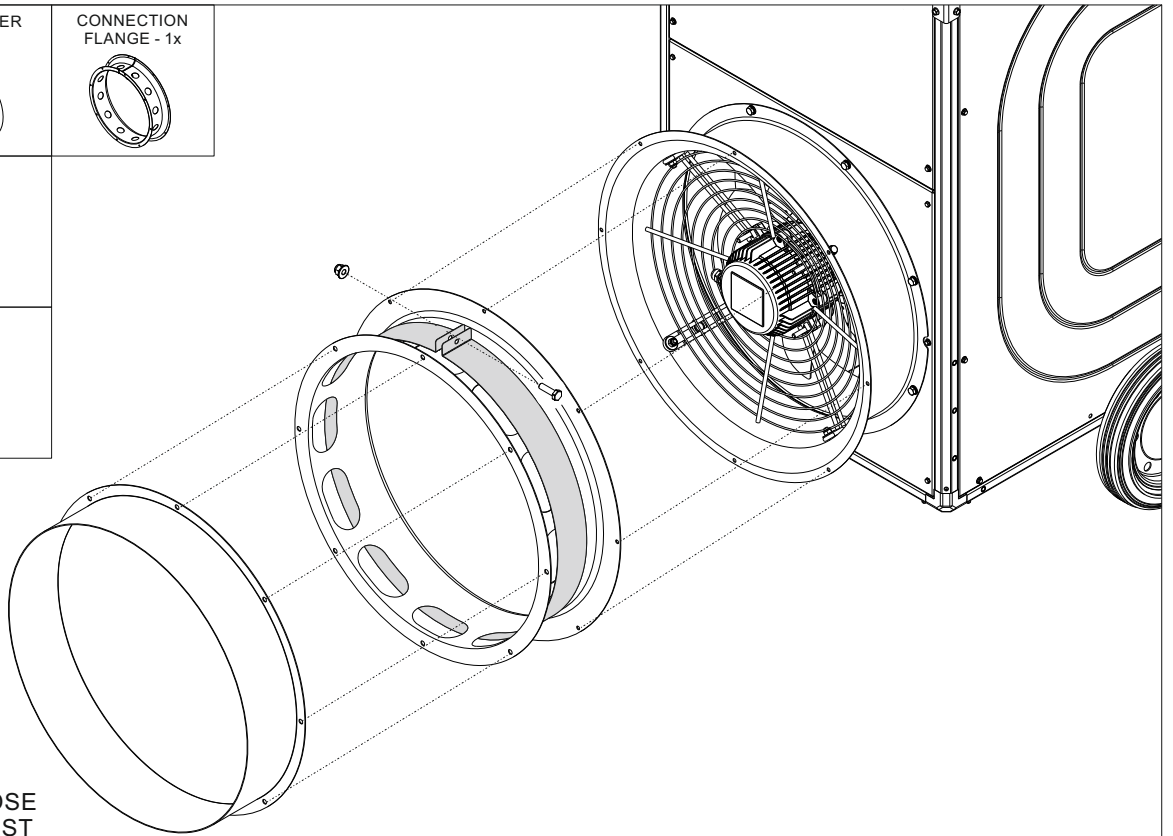


11

AIR RECIRCULATION

BV471 Ø 580 mm (4240.709) - BV691 Ø 680 mm (4240.748)

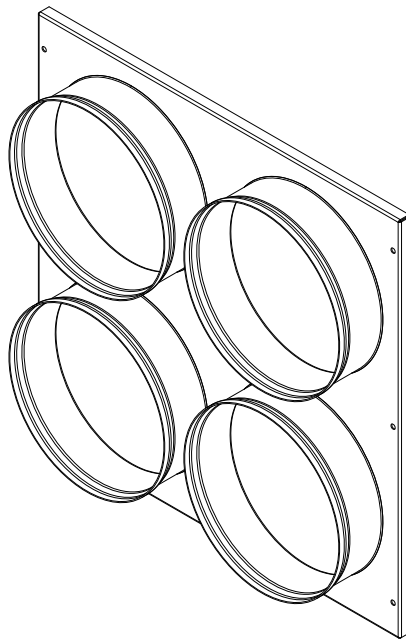
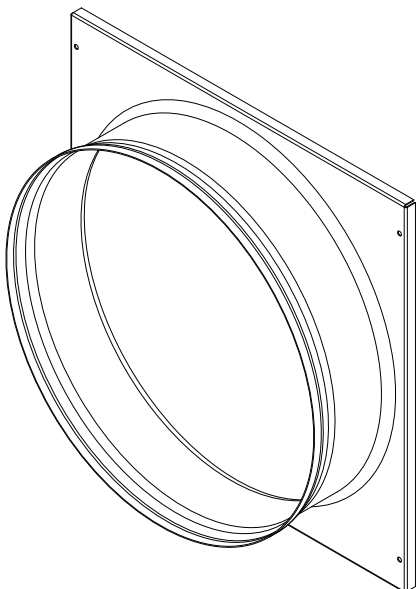
HOSE FLANGE 1x 	AIR DAMPER 1x 	CONNECTION FLANGE - 1x 
SCREW M8 8x 	NUT M8 8x 	
SCREW M6 8x 	NUT M6 8x 	



12

1 WAY

BV471 Ø590 mm (4240.825)
BV691 Ø690 mm (4240.826)

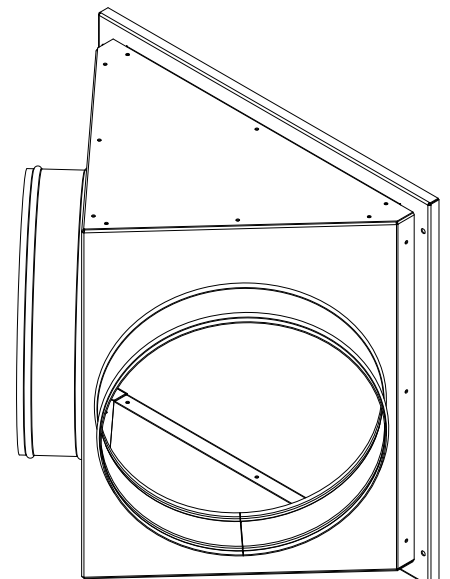


4 WAYS

BV471 Ø280 mm (4240.553)
BV691 Ø330 mm (4240.669)

2 WAYS

BV471 Ø390 mm (4240.235)
BV691 Ø490 mm (4240.668)



4240.579