



Variheat system

AW1200/1500

Owner installation manual (1008519 issue 1)





HEALTH AND SAFETY WARNING



As the dehumidifier embodies electrical and rotational equipment, ONLY competent persons should carry out any work on this type of machine.

(SEE GUARANTEE)

Variheat system, AW1200/1500, Owner installation manual

CONTENTS

HEATH AND SAFETY WARNING	4	4.0 AFTER INSTALLATION	52
FEATURES OF THE VARIHEAT RANGE.....	5	4.1 MAINTENANCE	53
1.2 HOW TO USE THE VARIHEAT	6	4.2 CIRCUIT DIAGRAMS.....	54
1.3 TOUCHSCREEN USER INTERFACE	7	5.0 DATA SHEET	57
1.4 DATA ENTRY	13	5.1 LPHW HEATING DATA - VARIHEAT WITH STANDARD AIR HEATER	58
2.0 USER SETTINGS.....	14	5.2 LPHW HEATING DATA - VARIHEAT WITH UPGRADED AIR HEATER (WHERE MODEL NUMBER INCLUDES +EC LPHW).....	58
2.1 ADVANCED SETTINGS	24	6.0 DIMENSIONS	59
2.2 REMOTE ACCESS TO THE VARIHEAT TOUCHSCREEN	31	7.0 VARIHEAT CONFIGURATIONS.....	68
3.0 INSTALLATION	34	8.0 WARRANTY CONDITIONS.....	71
3.1 SITING, MACHINE LOCATION	35		
3.2 FRESH AIR AND EXHAUST AIR.....	37		
3.3 PLUMBING INSTALLATION	38		
3.4 DETERMINING WATER FLOW	39		
3.5 ELECTROLYTIC CORROSION IN SWIMMING POOLS..	42		
3.6 ELECTRICAL CONNECTIONS	43		
3.7 ELECTRICAL INSTALLATION.....	44		
3.8 VOLT FREE TERMINALS AND REMOTE ACCESS	46		
3.9 NETWORK CONNECTION	49		
3.10 BMS CONNECTION (BUILDING MANAGEMENT SYSTEM).....	50		
3.11 OPTIONAL REMOTE SENSOR BOX	51		



HEALTH AND SAFETY WARNING



This appliance can be used by children from eight years and above and persons with reduced physical, sensory or mental capabilities or lack of experience and knowledge if they have been given supervision or instruction concerning the use of the appliance in a safe way and understand the hazards involved. Children should not play with the appliance. Cleaning and maintenance shall not be made by children without supervision.

This machine is classified as “NOT ACCESSIBLE TO THE PUBLIC” and therefore should be located in a machine room and serviced by qualified personnel.

Disconnect from the mains supply and wait three minutes before removing panels and commencing work on this machine.

1.1 FEATURES OF THE VARIHEAT RANGE

The Variheat range consists of two models: 1200 and 1500. This manual covers the Variheat AW models, all purpose designed and built for swimming pool use, to provide heat pump dehumidification, heat recovery and optional fresh air ventilation. The recirculated air flow increases across the range, from 3500m³/h for an AW1200 to 4300m³/h for an AW1500. All Variheat models are supplied as packaged air handling units with an integral control system and a 3.5" touchscreen controller.

Variheat AW models offer the following features and functions:

- Robust chassis and construction specifically designed for a swimming pool environment
- Ventilation of the pool hall by main supply fan
- Optional fresh air module for automatically regulated introduction of fresh air using a dedicated exhaust fan and damper, set to provide a pool hall negative pressure
- Heat pump dehumidifier incorporating heat recovery to pool water and pool hall air
- Integral control system complete with PLC, sensors and 3.5" colour touchscreen, providing automatic control of:
 - Humidity
 - Air temperature
 - Pool water temperature
- Comprehensive configuration, operation and fault status
- Fully controlled LPHW air heater battery
- Fully controlled LPHW pool water heat exchanger
- Air filtration
- Optional features

For duct connections, pool water and LPHW pipework positions and sizes, please refer to drawings elsewhere in this manual.

The Variheat range can be supplied with many air outlet configurations, see configuration drawings for versions available. Spigots are provided for connection to ductwork. Versions with a bottom outlet main supply fan include an adapter to facilitate connection to floor ducting.

All Variheat AW models contain a heat recovery heat pump dehumidifier that is automatically controlled to remove unwanted humidity from the swimming pool hall and provide swimming pool water heating. Heat recovery from the heat pump is usually sufficient to supply the majority of the evaporation heat losses from the main pool water. The heat recovery will also contribute significantly towards the hall heating requirements. The system is optimised for a swimming pool environment and will provide efficiencies upwards of 250%.

All Variheat models have a main recirculating fan and is ready for connection to supply air ducting and return air ducting. All models use efficient, direct drive fans, either constant flow or EC speed controlled.

The optional fresh air module includes an additional, smaller, exhaust air fan, with dampers and is ready for connection to exhaust and fresh air ducting.

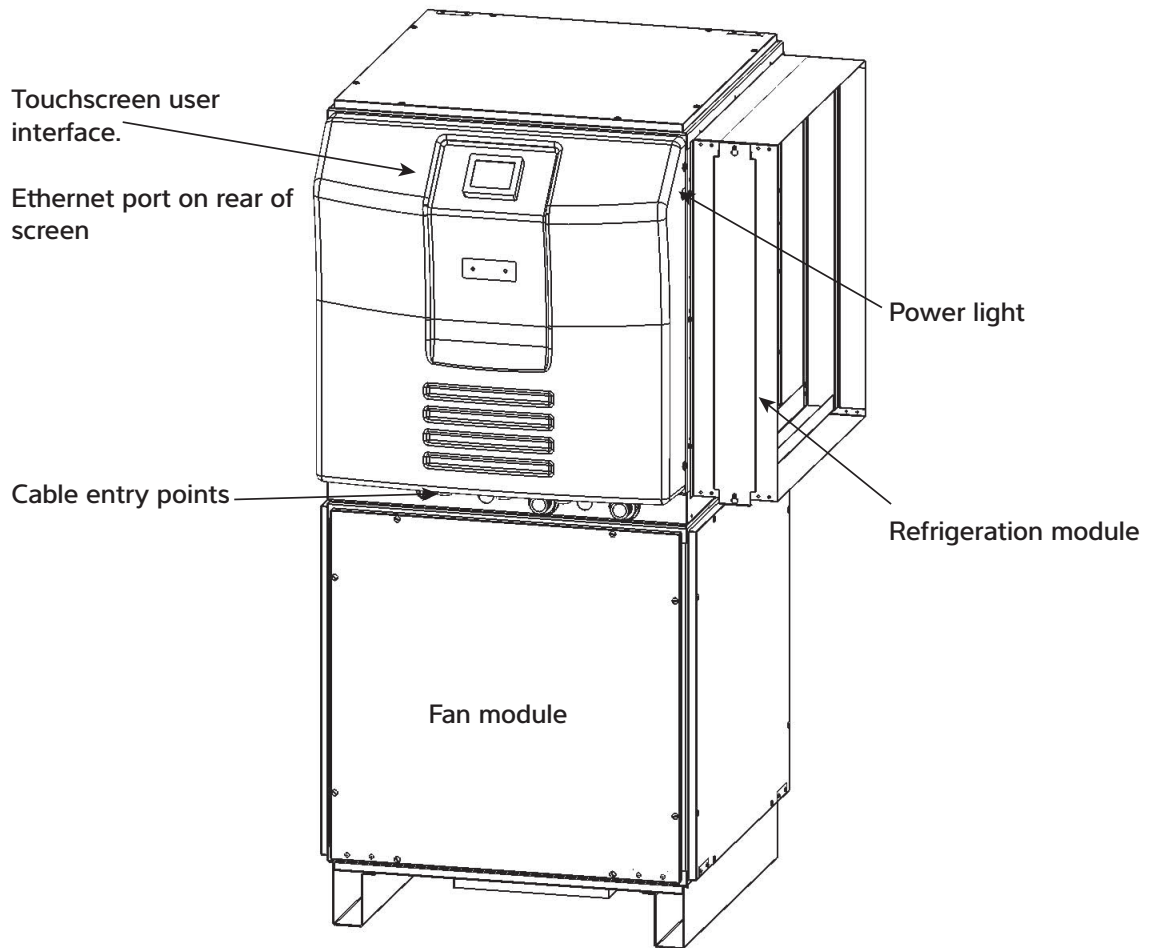
The optional negative pressure module includes the exhaust fan and dampers only, for installations where the make-up fresh air is introduced by other means.

All Variheat AW models are fitted with a fully controlled air heater and pool water heater when connected to a low pressure hot water (LPHW) system. The output of the standard heat exchangers are rated at an LPHW flow temperature of 80°C (see data sheet on page 57). As an option, all Variheat models can be factory fitted with a larger air heater to provide the same output at 60°C as the standard air heater has at 80°C, to be used with renewable technology heat sources and condensing boilers that provide lower LPHW flow temperatures. Provision is made for the LPHW heat source to be initiated by the Variheat control system. The LPHW heat source is not included.

The optional electric air heater module includes air heating elements, with heating capacities ranging from 6kW to 18kW depending on model, in lieu of the normal air and pool LPHW heaters.

All Variheat AW models are fitted with pairs of "volt free" terminals that provide an interface for pool pump, heat source and setback control, as well as remote monitoring/control of the unit. See page 46, Volt free terminals and remote access for a full list of these terminals.

1.2 HOW TO USE THE VARIHEAT



Power light – when illuminated red, power is connected to the Variheat.

Caution – the Variheat system remains powered and live. Ensure the Variheat is isolated from the power supply before any servicing or electrical work commences. When unlit, power is disconnected but remote interfaces connected to the Variheat from other systems may still be live.

Ethernet port – for connection to a local area network. (See page 49.)

Touchscreen user interface – display of operating condition and access to settings. (See page 7.)

For installation options see section 3.0.

1.3 TOUCHSCREEN USER INTERFACE

The Variheat is controlled by an integral controller with a touchscreen user interface. All the settings of the Variheat are available via the touchscreen.

Coloured buttons and parameters with a white background can be modified, except where locked by the User Security settings. Grey buttons and parameters with a grey background cannot be modified. (See page 21.)

If the screen is blank, touch once to activate.

Home screens

These two screens display current operating conditions and main controls. Functions on the home screens can be modified if allowed by the User Security Mode settings. (See page 21.)

First home screen

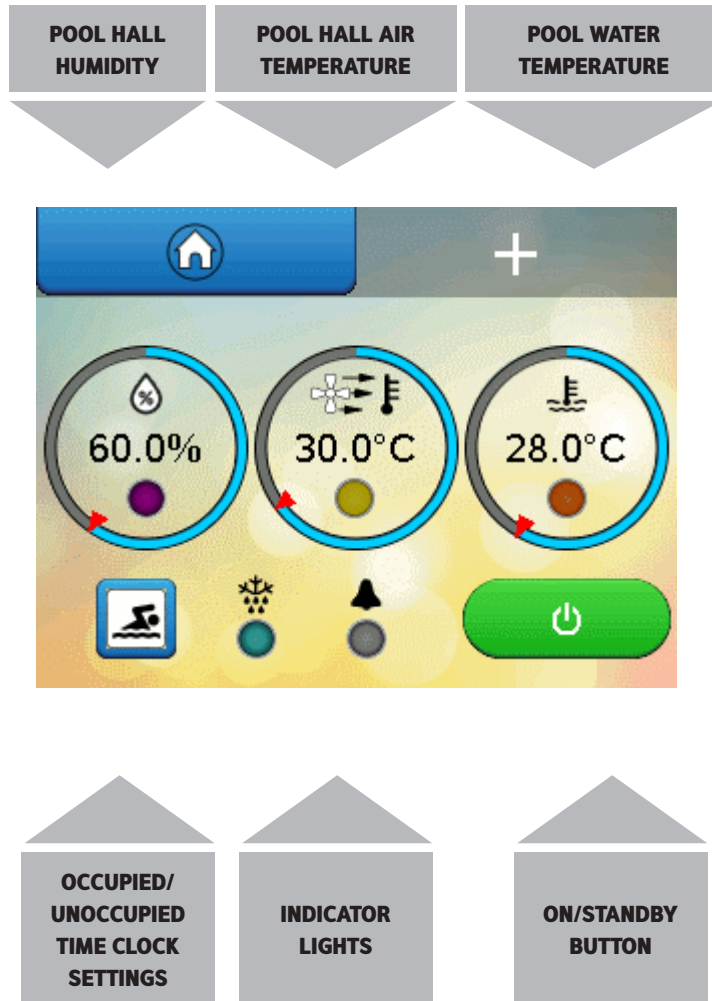


Pressing the **+** button shows the second home screen. Pressing the home button returns to the first home screen.

Second home screen



FIRST HOME SCREEN



1. Pool hall relative humidity (%RH)

Number shows current measurement. Outer ring shows current measurement (blue bar) in relation to current setting (red arrow). Press the centre to change humidity setting.

Key to lights

Purple (flashing) – waiting for compressor delay timer to elapse.
 Purple (solid) – dehumidification operating (compressor running).

2. Pool hall air temperature (°C)

Number shows current measurement. Outer ring shows current measurement (blue bar) in relation to current Occupied mode setting (red arrow). Press the centre to change temperature setting.

Key to lights

Yellow (solid) – air heating via LPHW operating.
 Blue (solid) – free cooling operating (if optional fresh air module is fitted).

3. Pool water temperature (°C)

Number shows current measurement. Outer ring shows current measurement (blue bar) in relation to current setting (red arrow). Press the centre to change temperature setting.

Key to lights

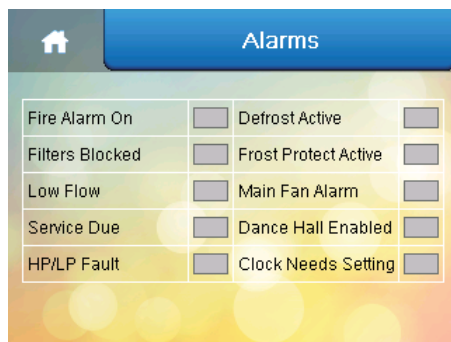
Yellow (solid) – pool water heating via LPHW operating.
 Orange (flashing) – water heating calling for the pool pump to run.

4. Swimming icon

Press to access time clock settings. The swimming icon shows that the Variheat is in the Occupied mode. A red cross indicates that the Variheat is in Unoccupied mode.

Functions on the first home screen can be modified if allowed by the User Security Mode settings. (See page 21.)

LIGHTS AND STANDBY SWITCH



Indicator lights

Pressing this area when an alarm is active displays the "Alarms" screen.

Defrost light

Light blue (solid) – defrost is active. Defrosting is a normal function to remove ice from the heat recovery surfaces, which may be required when the pool hall air temperature drops below 20°C.

Dark blue (solid) – frost protection is active. (See page 44.)

Light blue and dark blue (flashing) – defrost and frost protection are active.

Alarm light

Red (solid) – fault with the refrigeration system.

Pink (solid) – main fan fault or blockage.

Orange (solid) – fire alarm is active.

Light blue (flashing) – 'Dance Hall Mode' is active. (See page 19.)

Dark blue (solid) – no flow, fault with the pool pump.

Purple (solid) – clock reset required.

Purple (solid) + 'S' – service is overdue. Contact the Dantherm Group to arrange servicing of the Variheat.

There can be more than one alarm. All alarms should be investigated. (See page 17.)



Standby switch

Green and white – ON.

Variheat is powered and operating according to the control system settings.

Red and white – user Standby.

Variheat is powered but not operating. The Variheat has been put into Standby via the user touchscreen. See caution below. To enable the Variheat, press the red touchscreen button.

Orange and black – remote Standby.

Variheat is powered but not operating. The Variheat has been put into Standby via the remote On/Off control interface. See caution below. To enable the Variheat, change the remote interface from Off to On.

Red and black – user and remote Standby.

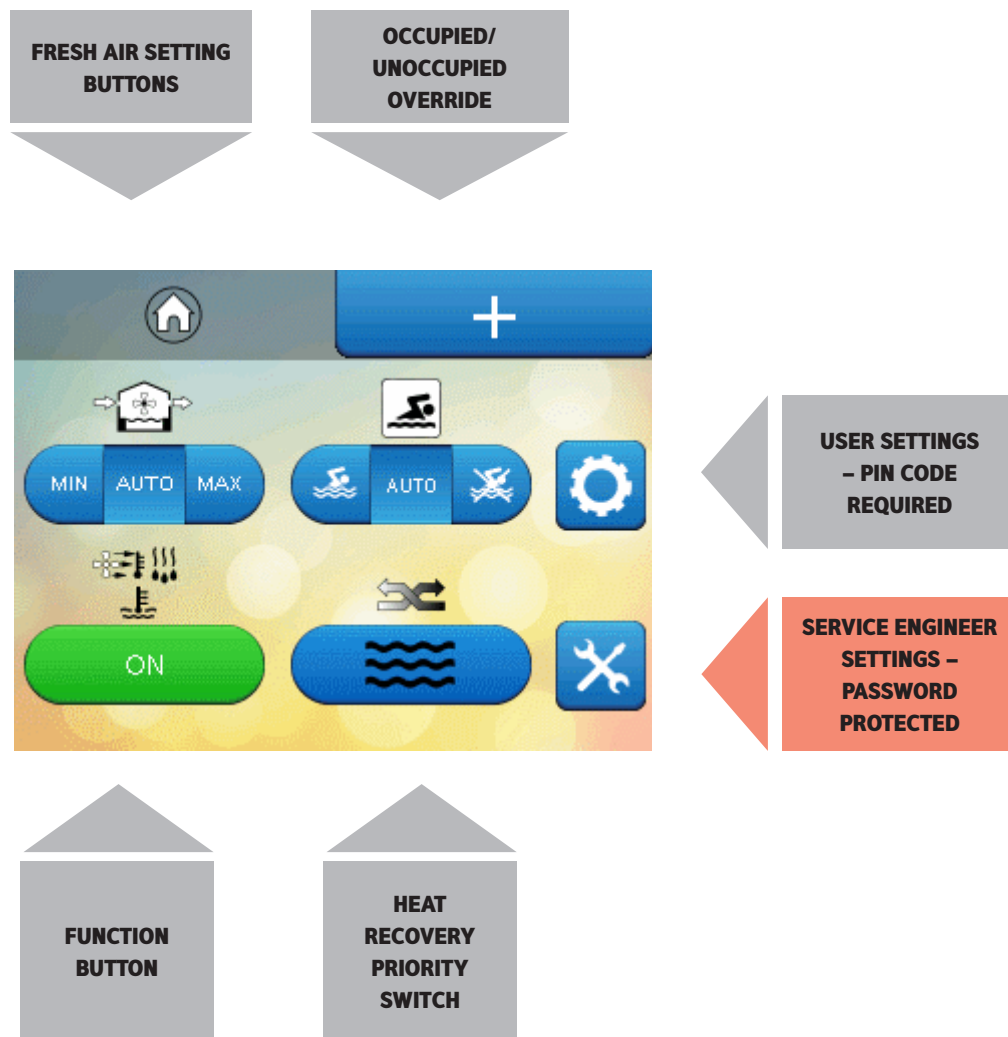
Variheat is powered but not operating. The Variheat has been put into Standby via the user touchscreen AND the remote on/off control interface. See caution below. To enable the Variheat, press the red touchscreen button AND change the remote interface from Off to On.

There is a ten second delay before the Variheat starts.

Caution: in all Standby modes, the Variheat system remains powered and live. Ensure the Variheat is isolated from the power supply before any servicing or electrical work commences. See power light on page 6.

Following a power interruption the Variheat will either remain in Standby or attempt to restart automatically, according to the user setting. See page 26. Screen Settings

SECOND HOME SCREEN



5. **Fresh air setting (where optional fresh air module is fitted)**

AUTO (recommended) allows automatic control of fresh air quantity according to control system settings. MIN allows experienced operators to override automatic fresh air control and force the minimum fresh air quantity. MAX allows experienced operators to override automatic fresh air control and force the maximum fresh air quantity.

6. **Occupied/Unoccupied override**

Normally set to AUTO, allowing the time clock to control the Occupied and Unoccupied periods of the Variheat. The left-hand button sets the Variheat into Occupied mode. The right-hand button sets the Variheat into Unoccupied mode. If remote control of Occupied/Unoccupied is to be used, this control should be set to Unoccupied. (See page 12.)

7. **User settings**

Allows the user to change the settings of the Variheat (user pin code required to access).

8. **Function button**

Green – ON. Enables the Variheat to operate with full function.
Red – OFF. Water heating only mode. **Note:** There is a 60 minute delay when water heating is required.

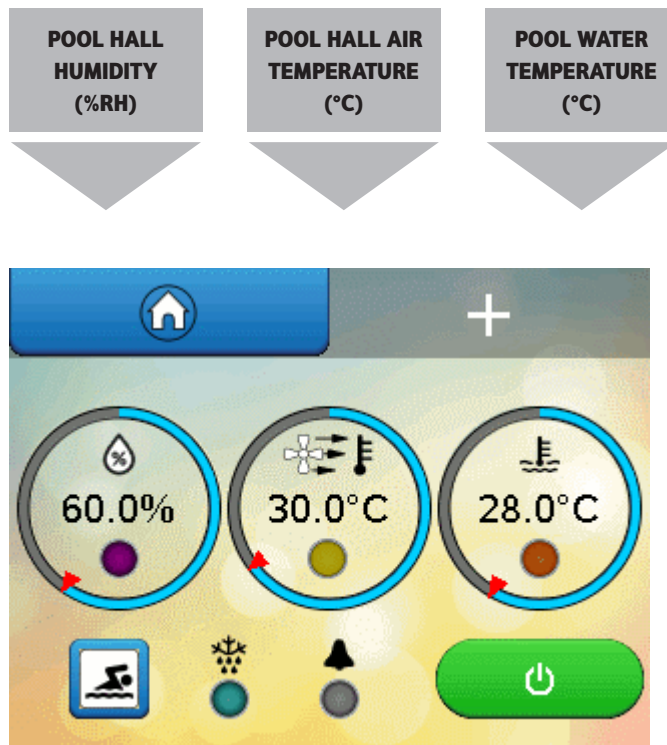
9. **Air/Water priority button**

Switches the Variheat between priority given to heating the pool water (recommended for most pools) or air.

10. **Service engineer settings**

These settings are for Dantherm Group service engineers and are password protected.

Functions on the second home screen can be modified if allowed by the User Security Mode settings. (See page 21.)



HUMIDITY AND TEMPERATURE SETTINGS

It is essential to control the pool hall conditions 24 hours per day and, once commissioned, your Variheat should never be turned off if you are to avoid discomfort and/or expensive building damage due to humidity. It is a common mistake to believe that by turning the Variheat off will save running costs. This is not true. Turning the Variheat off turns off all the energy recovery it provides, and your swimming pool will cost you more to operate overall.

The energy usage and environment in a swimming pool are a delicate balance and your Variheat has been selected to operate at very specific conditions. The most important principle in a swimming pool is the difference between the air and water temperatures. For both economy and comfort, it is good practice to keep the air temperature in the pool hall 1-2°C above the pool water temperature while the cover is removed (Occupied Mode). A normal humidity target in a pool hall is 60%RH. These settings should correspond to the original design parameters for the project. Unless other conditions were specifically requested at the time the system was designed, the most common conditions used in indoor pools are:

- Water temperature 28°C-30°C
- Air temperature 29°C-30°C
- Relative Humidity 60%RH
- Changing the settings may result in high power consumption or less effective control of the environment. If you:
 - Increase the water temperature – evaporation from the swimming pool water will increase, running costs will increase, and the likelihood of condensation will increase.

- Reduce the water temperature – evaporation from the swimming pool water will reduce, running costs will reduce.
- Increase the air temperature – evaporation from the swimming pool water will reduce, running costs usually reduce.
- Reduce the air temperature – evaporation from the swimming pool water will increase, running costs will increase, and the likelihood of discomfort and condensation will increase.
- Increase the humidity – running costs will reduce, but comfort will worsen, and the likelihood of condensation will increase.
- Reduce the humidity – running costs will increase, but may not improve comfort, nor reduce the likelihood of condensation.

If you do find it necessary to adjust settings, firstly ensure that the control system sensors are measuring accurately by using a calibrated thermometer and always maintain the air 1°C higher than water temperature. The settings for humidity, air temperature and pool temperature can be changed by touching the centre of the corresponding parameter. A keypad appears. (See page 13.)

Unless the Variheat has been specifically chosen for the purpose, do not operate with the air temperature below the water temperature when the cover is removed.

The only exception is when a floating cover is in place on the pool (Unoccupied Mode).

POOL OCCUPIED SYMBOL



POOL UNOCCUPIED SYMBOL



OCCUPIED AND UNOCCUPIED

Whenever a floating pool cover is in use, the cover suppresses evaporation and heat loss, so it is not necessary to maintain the air temperature higher than the pool water. Significant running cost reductions can be achieved by reducing the air temperature. Do not reduce the air temperature without a pool cover in place.

Normal operation, with the cover removed, is called Occupied Mode. Reduced air temperature operation, with the cover in place, is called Unoccupied Mode. It is expected that the pool will be covered during Unoccupied periods, to conserve energy and minimise evaporation. If Unoccupied Mode is used while the cover is removed, increased power consumption and loss of ideal conditions may result. The integral time clock on the control system allows fixed times to be set for when the cover will be in place. If you have an automatic pool cover, it may be possible to connect this to the Variheat as described in section 3.8, to automatically set Occupied and Unoccupied modes when the cover is moved.

The Variheat operates in either Occupied or Unoccupied Mode according to:

- User time period settings
- User override button
- Remote system connected to the interface terminals

In Occupied Mode, all functions operate according to User Settings.

In Unoccupied Mode, the following functions change:

- Pool hall air temperature setting reduced to the unoccupied temperature setting (sometimes called night set back). The pool hall will not be cooled

to this temperature, but if heating is required, it will only heat to this lower temperature setting.

- With the optional fresh air module, the fresh air volume is reduced to minimum, unless the user fresh air setting activates maximum fresh air.
- When pool water heating is required, there is a delay of 60 minutes (adjustable) in activating the pool pump and heating the water.

Going away for extended periods

Your Variheat system, once commissioned, should never be turned off completely. Even a cold pool will allow moisture to evaporate into the environment and if this is not dealt with expensive building damage may follow. If you go away for extended periods or wish to take the pool out of commission, use the following procedure:

Use a good swimming pool cover on the pool to minimise evaporation.

- Set the water temperature at 10°C
- Set the air temperature to 12-15°C
- Leave the humidity setting at 60-65%RH
- Leave the time clock setting in Unoccupied Mode

These settings will minimise energy usage whilst providing maximum protection for your building.

1.4 DATA ENTRY

Coloured buttons and parameters with a white background can be modified, except where locked by the User Security settings. Grey buttons and parameters with a grey background cannot be modified.

To change parameters with a white background, press the parameter. A keypad appears for number entry – an alphabet appears for text entry.

The keypad for entering numeric parameters is shown below. The parameter to be modified is shown at the top. The allowable range that the parameter can be changed between is shown underneath.

ALLOWABLE RANGE

LEAVES THE SCREEN WITHOUT SAVING

MOVES THE CURSOR TO THE LEFT

TYPE IN THE REQUIRED SETTING

BACKSPACE KEY

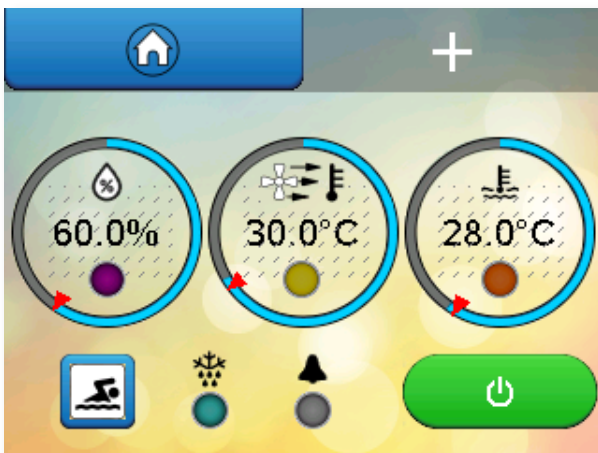
MOVES THE CURSOR TO THE RIGHT

CLEARs SETTING

SAVES THE SETTING AND RETURNS TO THE SETTINGS SCREEN

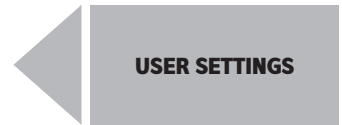
SECURITY MODE

If Security Mode is enabled (see page 21) some functions may not be accessible from the home screens. Functions that are not accessible are shown with hashed lines. In the examples shown below all functions have restricted access apart from the Occupied/Unoccupied override.



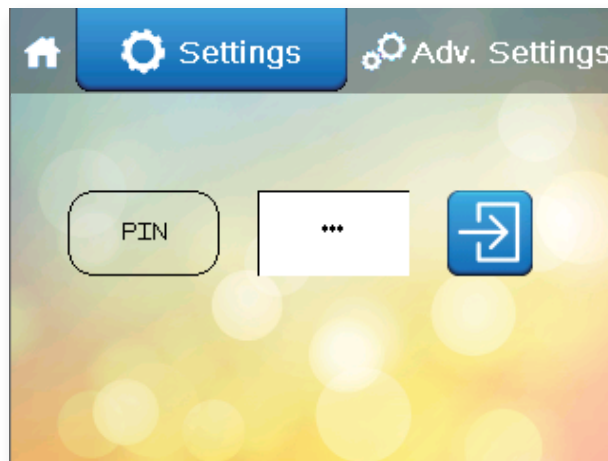
2.0 USER SETTINGS

The main User Settings screens are protected by a PIN code. User Settings can be accessed by pressing the cog button on the second Home screen.

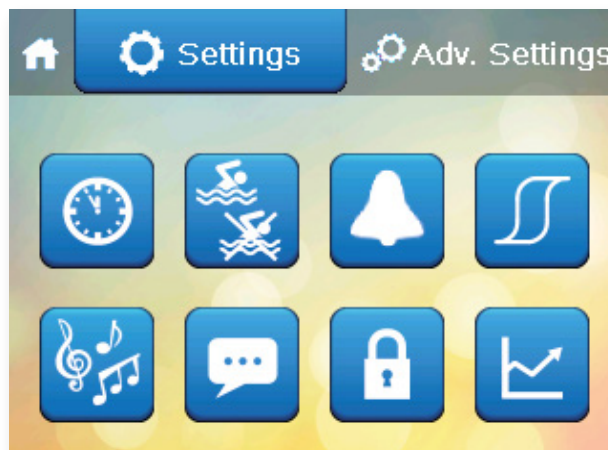


INSERT THE PIN AND PRESS THE ARROW

The default **PIN** for accessing the User Settings is **6016**.
The Dantherm Group recommend this is changed.
Security options and record of PIN. (See page 21.)



THE SETTINGS SCREEN APPEARS



Settings

- | | | | |
|------------------|-----------------------------|---------------|-------------------------|
| Controller Clock | Occupied/Unoccupied periods | Alarms | Set Points and Switches |
| Dance Hall Mode | Language | User Security | Data Monitoring |



CONTROLLER CLOCK

Press this button on the Settings menu.



Arrow icon
Return to
User Settings



Home icon
Return to
Home screen



To change the date or time, press the white box with the number to be changed. Press Set Clock when the date and time are correct.

Press the Arrow to return to the User Settings screen or if nothing else needs to be changed, press Home to return to the Home screen.

Once the time and date have been set this should not need to be done again as long as the Variheat is On or in Standby. The clock has a battery reserve fitted which, when charged, has an operating time of three days so that isolating the Variheat unit for short periods will not reset the clock. It may be necessary to set the clock if the Variheat is isolated from power or if there is an interruption to the power supply which lasts longer than three days.

DAYLIGHT SAVING TIME

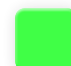


Arrow icon
Return to
User Settings



Home icon
Return to
Home screen



 This button is red when daylight saving is disabled and green when daylight saving is enabled.

Press the button to manually toggle between enabled and disabled.

Default factory settings are UK daylight saving periods and will change automatically on the dates set in this screen. Where the daylight saving times and dates are different to those shown, they can be changed here.

Press the Arrow to return to the User Settings screen or if nothing else needs to be changed, press Home to return to the Home screen.

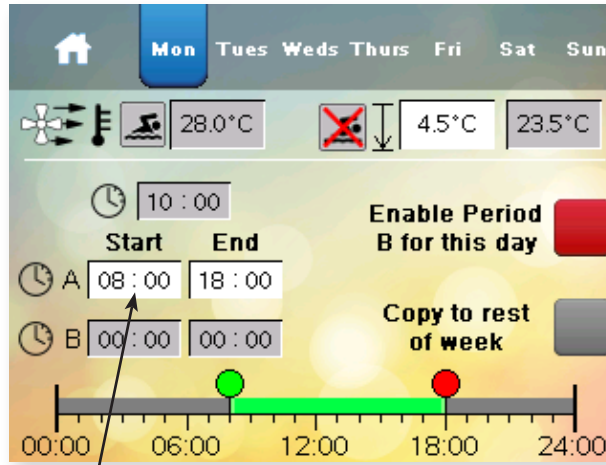


TIME CLOCK

Press this button on the Settings menu.



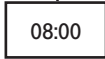
Home icon
Return to Home screen



If a second occupied period is required enable this button. Times in the second period can be entered in B.

The times for the rest of the week can be copied by pressing this button.

Press the left side of the colon to change the hour setting.



Press the right side of the colon to change the minute setting.

This screen can also be accessed from the first Home screen if the User Security settings are set to allow access.

When one of the time settings is touched, the keypad appears to allow the parameter to be changed. Any time with a white background can be changed.

There are two periods per day, A and B. Days can be set individually, or copied to the whole week. If A and B periods overlap, priority is given the Occupied period. If one Occupied period is required, period B can be disabled.

The current Occupied air temperature and the Unoccupied air temperature settings are shown. The Unoccupied setting is set as the difference between the two, which can be changed. In the example above, the Occupied air temperature setting is 28.0°C and the Unoccupied air temperature setting is 4.5°C below that, 23.5°C. The minimum night set back temperature controlled by the Variheat is 22°C. This means that the greatest difference allowed is 6°C.

Press the Home button to return to the User Settings screen.



ALARMS

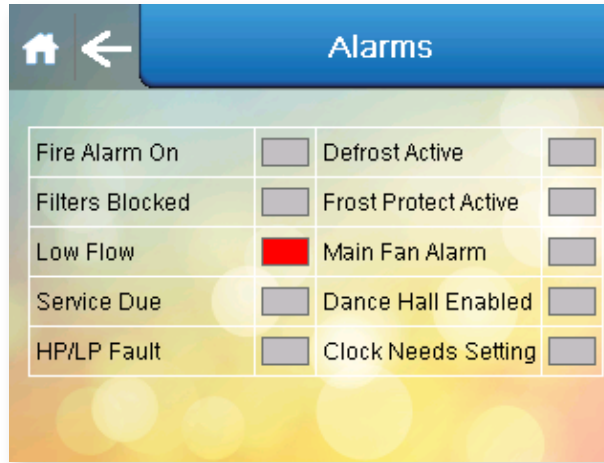
Press this button on the Settings menu.



Arrow icon
Return to
User Settings



Home icon
Return to
Home screen



The Alarms screen displays warnings or faults with the Variheat, indicated by a red highlight. The example above indicates that there is a problem with the pool water flow rate that should be investigated.



SET POINTS AND SWITCHES

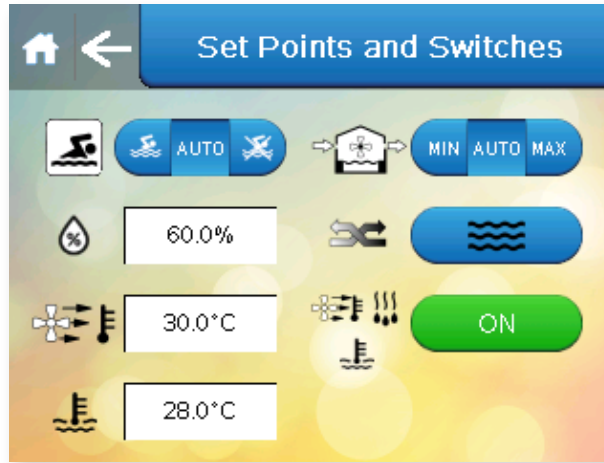
Press this button on the Settings menu.



Arrow icon
Return to
User Settings



Home icon
Return to
Home screen



This screen duplicates settings on the Home screens. If functions on the Home screens are disabled by the User Security settings, they may be accessed here.

Press the Arrow to return to the User Settings screen or if nothing else needs to be changed press Home to return to the Home screen.

Note: the buttons on this screen may vary depending on the options fitted.



DANCE HALL MODE

Press this button on the Settings menu.



Arrow icon
Return to
User Settings



Home icon
Return to
Home screen



Dance Hall Mode is designed to allow a different air temperature to be used if the pool hall is to be used for a function other than swimming. Water heating and humidity control is deactivated.

Dance Hall Mode can be enabled or disabled by pressing the Currently Enabled/Currently Disabled button to toggle between two.

Dance Hall Mode can be enabled in Constant Mode or Timed Mode. Pressing the Constant Mode/Timed Mode button toggles between the two. In Timed Mode, the maximum timer duration is nine hours. In Constant Mode, the Variheat remains in Dance Hall Mode until disabled by the user. Dance Hall Mode is not intended to be used for a long period. If Dance Hall Mode is enabled for a long time, the pool water temperature may fall outside the normal operating range.

The dance hall air temperature setting is shown. The Variheat controls the air to a temperature below the Occupied air temperature setting. In the example above, if the Occupied air temperature setting is 28°C, the Dance Hall temperature is 24°C (= 28 - 4).

Press the Arrow to return to the User Settings screen or if nothing else needs to be changed press Home to return to the Home screen.



LANGUAGE

Press this button on the Settings menu.



Arrow icon
Return to
User Settings



Home icon
Return to
Home screen



The available languages are shown on this screen and can be selected by pressing the button corresponding to the required language.



USER SECURITY

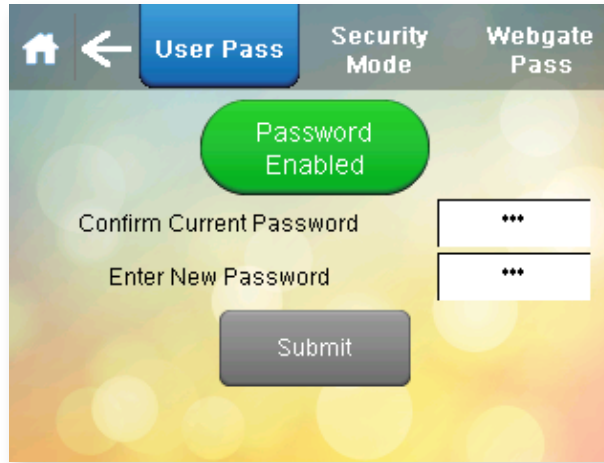
Press this button on the Settings menu.



Arrow icon
Return to
User Settings



Home icon
Return to
Home screen



Toggles between Password Enabled and Password Disabled



If the User PIN needs to be changed, it can be changed here. The factory default User PIN is 6016. If the PIN is changed, write it in the box on the right and keep this manual in a safe place.

USER PIN:

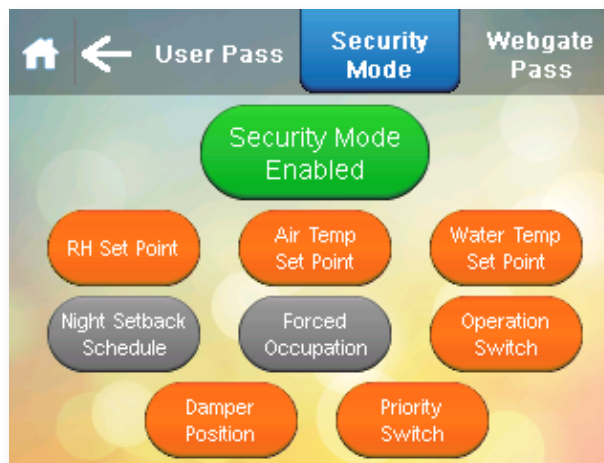
The User PIN can be enabled or disabled. Pressing the Password Enabled/Password Disabled button toggles between two. When disabled, the User Settings screen can be accessed without the User PIN.



Arrow icon
Return to
User Settings



Home icon
Return to
Home screen



Toggles between Security Mode Enabled and Security Mode Disabled



When Security Mode is enabled the buttons shown on the screen can be toggled between grey and orange. Settings in grey can be modified directly from the Home screens. Settings in orange are disabled on the Home screens and must be accessed through the User Settings.

When Security Mode is disabled, all home screen functions are set to grey and can be modified on the Home screens.

Press the Arrow to return to the User Settings screen or if nothing else needs to be changed, press Home to return to the Home screen.

CHANGE WEBGATE PASS

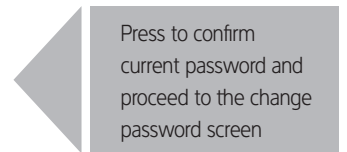
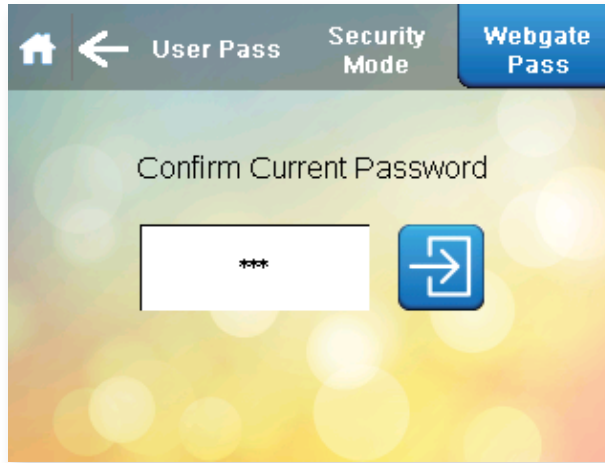
Press the button on the right.



Arrow icon
Return to
User Settings



Home icon
Return to
Home screen



The factory default Webgate password is DefaultPass.

For security reasons the Dantherm Group recommend that this password is changed.

If the password is changed, write it in the box below and keep this manual in a safe place.

WEBGATE PASSWORD:

If the password is forgotten, it can only be reset during a visit by a service engineer.

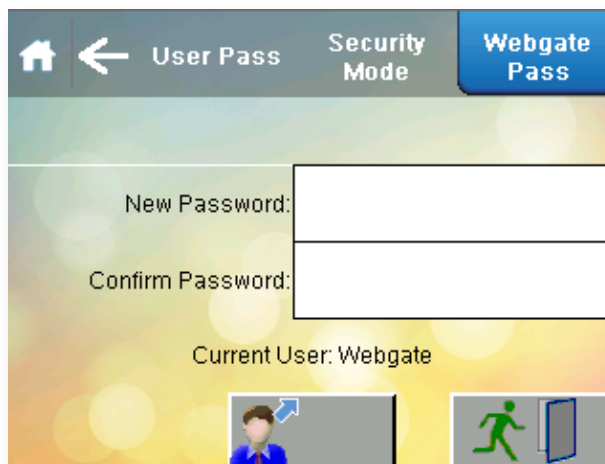
Press the Arrow to return to the User Security screen or if nothing else needs to be changed press Home to return to the Home screen.



Arrow icon
Return to
User Settings



Home icon
Return to
Home screen

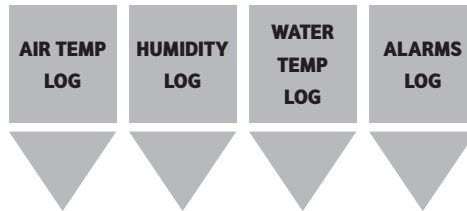


Button performs same function as Home button



DATA MONITORING

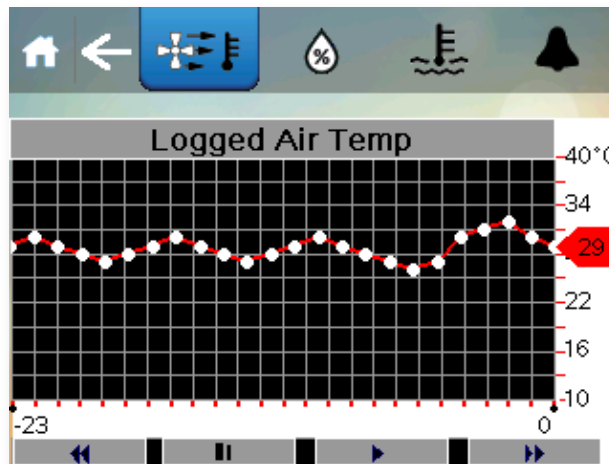
Press this button on the Settings menu.



Arrow icon
Return to
User Settings



Home icon
Return to
Home screen



Pressing the buttons brings up a graph of the selected parameter. Choose from Air temperature, Humidity, Water temperature and Alarms. The display is marked up in hours and shows the past 72 hours of activity.



Arrow icon
Return to
User Settings



Home icon
Return to
Home screen

Date	Time	Message

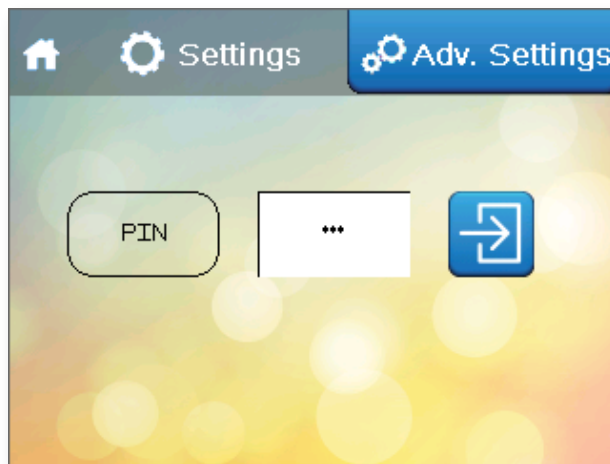
Press the Arrow to return to the User Settings screen or press Home to return to the Home screen.

2.1 ADVANCED SETTINGS

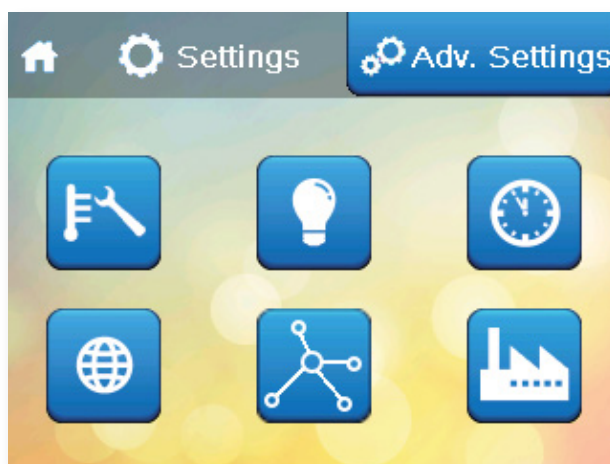
Press this button on the Settings menu.

WARNING
ACCESSING THE ADVANCED SETTINGS BY PUTTING IN THE ONE TIME PASSWORD TAKES YOU INTO PARAMETERS THAT MAY FUNDAMENTALLY CHANGE THE WAY THE VARIHEAT BEHAVES. A SERVICE VISIT MAY BE NECESSARY IF THE PARAMETERS ARE CHANGED INCORRECTLY.







The one-time PIN for accessing these screens is 1842. Once this PIN has been entered once, you will not be prompted for this password in the future.



The Advanced Settings screen appears.



Advanced Settings

- | | | |
|--|---|---|
|  Offsets |  Screen Settings |  Customer Timers |
|  IP Address |  BMS Settings |  Reset to Factory settings |



OFFSETS

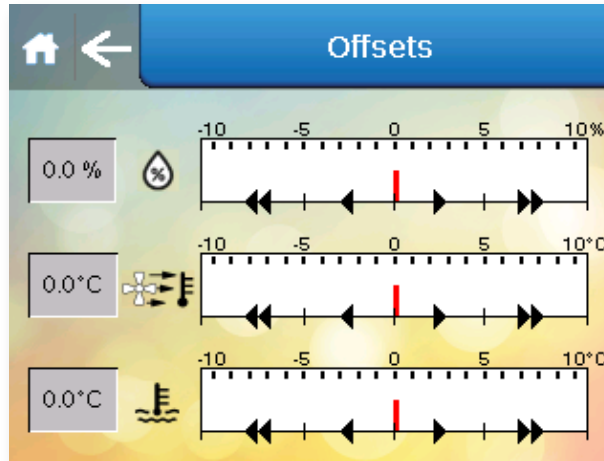
Press this button on the Advanced Settings menu.



Arrow icon
Return to
User Settings



Home icon
Return to
Home screen



Offsets

The actual conditions in the pool may be slightly different to the conditions detected and shown on the display. If this is due to sensor calibration, a correction can be entered here to improve accuracy. For example, the Variheat displays a pool temperature of 27.5°C, and a calibrated thermometer measures 28.0°C. In this instance an offset of +0.5°C can be applied to calibrate the sensor.

The single arrows change the offset in 0.1 increments.
The double arrows change the offsets in 1.0 increments.

Press the Arrow to return to the Advanced Setting screen or if nothing else needs to be changed press Home to return to the Home screen.



SCREEN SETTINGS

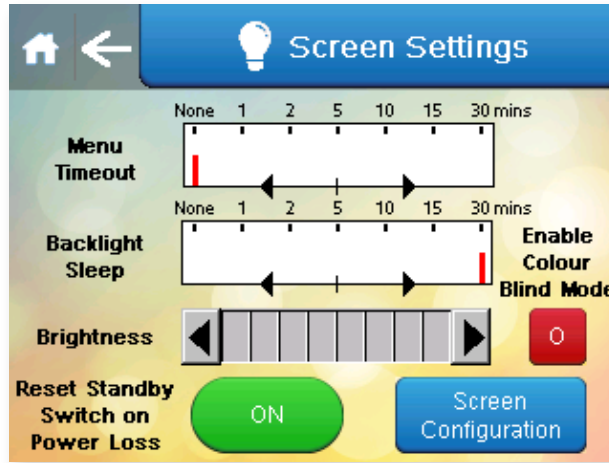
Press this button on the Advanced Settings menu.



Arrow icon
Return to
User Settings



Home icon
Return to
Home screen



The screen settings can be changed here.

Menu Timeout – the length of time after which the display to automatically return to the Home screen after the last screen press.

Backlight Sleep – the length of time after which the display switches off after the last screen press. Touching the screen will restore the display.

Brightness – can be increased or decreased.

Colour Blind Mode – can be enabled to improve colour contrast. Press the Arrow to return to the Advanced Settings screen or if nothing else needs to be changed press Home to return to the Home screen.

The “Reset Standby Switch on Power Loss” button determines what happens when power is interrupted.

When set to ON the Variheat restarts in Standby mode when power is reconnected, and does not function until the On/Standby button is pressed.

When set to OFF, the Variheat tries to restart all functions automatically when power is reconnected. During a unplanned power cut, safety devices may activate to protect the Variheat system and may require resetting by the user.

Screen Configuration settings button – allows access to advanced screen configuration settings. The touchscreen can be recalibrated here if it does not register finger or stylus touches in the correct position. Other settings should be left as default unless changes are advised by the Dantherm Group.



CUSTOMER TIMERS

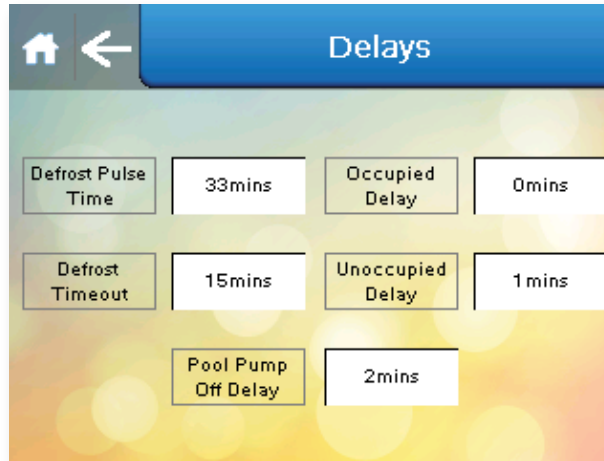
Press this button on the Advanced Settings menu.



Arrow icon
Return to
User Settings



Home icon
Return to
Home screen



The Variheat is connected directly to the pool water circuit. If the pool water pump is on a timer, it can be started outside the normal "pump on" times by the Variheat, using interface terminals (see Installation section). When the pool water pump is off, the Variheat cannot measure the pool temperature, so the control system will respond to a water heating demand by starting the pool water pump to check the demand is accurate.

Timers delay this response, as follows (factory defaults).

Occupied mode – no delay

Unoccupied mode – 1 hour

The delay timers can be edited from this screen. The sum of the Occupied and Unoccupied timers cannot be more than 23 hours. The pool pump will always be started with no delay in response to a heat recovery requirement.

Please refer to the Occupied and Unoccupied periods before changing these timers. If these delays are set longer than the Occupied and Unoccupied periods, the pool may not be heated sufficiently.

Defrost Pulse Time, Defrost Timeout - should be left as default settings unless advised to change by Dantherm or your Dantherm Group service engineer.

Pool Pump Off Delay - determines how long the pool pump demand control (terminals 8/9, See page 48.) will continue to run the pool pump to cool the heat exchangers after a heating demand ends. The default settings is 120 seconds



FACTORY RESET

Press this button on the Advanced Settings menu.



Arrow icon
Return to
User Settings



Home icon
Return to
Home screen



If the settings have been changed in a way that makes the Variheat behave in an unusual way, the original commissioned settings can be restored by pressing the Reset to Commissioned Factory Defaults button on this screen. After this has been pressed a confirmation appears, pressing again completes the reset.

Press the Arrow to return to the Advanced Setting screen or if nothing else needs to be changed press Home to return to the Home screen.



NETWORK SETTINGS

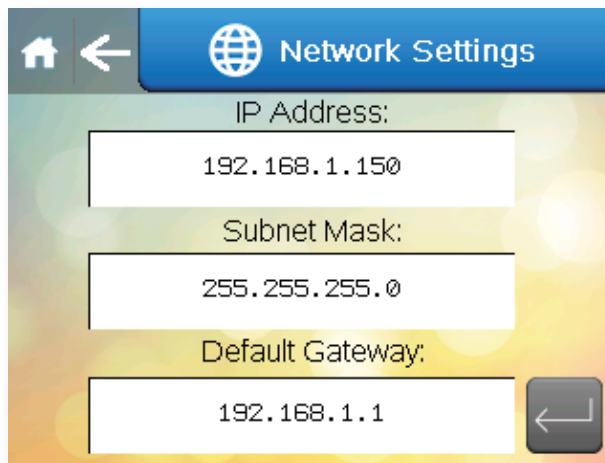
Press this button on the Advanced Settings menu.



Arrow icon
Return to
User Settings



Home icon
Return to
Home screen



Insert the correct information, data shown here is an example.

This screen contains settings related to remote access by an Android/iOS device or ActiveX browser. (See Remote Access to the Variheat Touchscreen on page 31.) When accessing this screen on remote access, the IP address shown will be that of the access device, and it is not possible to view/change the Variheat IP address. The Variheat IP address can only be changed from the touchscreen.

Press the Arrow to return to the Advanced Setting screen or if nothing else needs to be changed press Home to return to the Home screen.



BMS SETTINGS

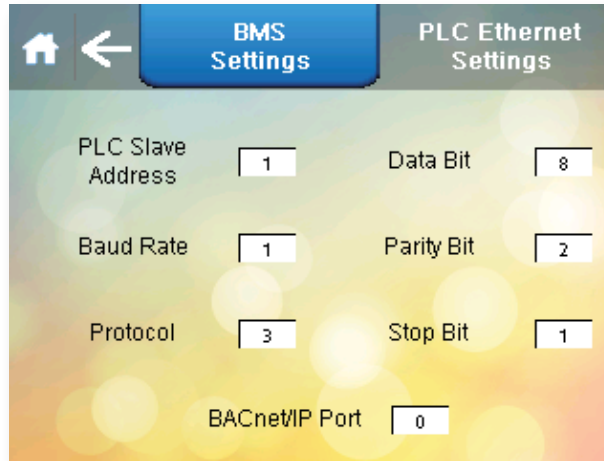
Press this button on the Advanced Settings menu.



Arrow icon
Return to
User Settings



Home icon
Return to
Home screen



This screen contains settings related to BMS connectivity when using Modbus/RTU and BACnet MS/TP through the spare RS485 port. The factory default settings are shown. If connecting using BACnet/IP, see the PLC Ethernet Settings screen on page 30.

Slave Address. Can be set from 0 to 255.

Baud Rate. Can be set from 0 to 5, corresponding to:

0	9600
1	19200
2	38400
3	57600
4	76800
5	115200

Protocol Used. Can be set from 2 to 4, corresponding to:

2	uNET
3	Modbus/RTU
4	BACnet MS/TP

Data Bit. Always set to 8. Included for information only, to configure own software if needed.

Parity Bit. Can be set from 0 to 2, corresponding to:

0	Null
1	Odd
2	Even

Stop Bit. Can be set from 1 to 2.

BACnet/IP Port – can be set from 0 to 65535. 0 corresponds to the default port 47808. 65535 corresponds to BACnet stack running only on PLC side.

After changing any of the above settings, restart the PLC/Variheat, by cycling the power supply, to save and apply the new settings.

For Modbus Variable list and BACnet Object list please consult the Dantherm Group.

PLC ETHERNET SETTINGS

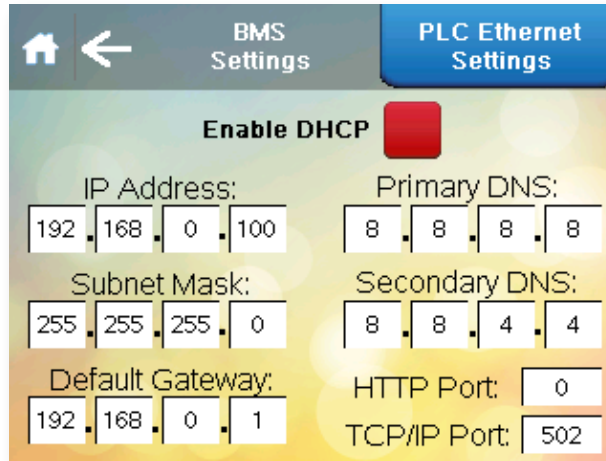
Press the button on the right.



Arrow icon
Return to
User Settings



Home icon
Return to
Home screen



This screen contains settings related to BMS connectivity using BACnet/IP through the Ethernet port on the PLC. The factory default settings are shown. If connecting using Modbus/RTU or BACnet MS/TP, see the BMS Settings screen on page 29.

Enable DHCP. This button toggles between DHCP enabled or disabled.

IP Address, Subnet Mask, Default Gateway, Primary and Secondary DNS – all fields can be set from 0 to 255.

HTTP Port. Can be set from 0 to 65535. 0 corresponds to default port 80.

TCP/IP Port Can be set from 0 to 65535. Default is 502.

After changing any of the above settings, restart the PLC/Variheat, by cycling the power supply on/off, to save and apply the new settings.

For Modbus Variable list and BACnet Object list please consult the Dantherm Group.

2.2 REMOTE ACCESS TO THE VARIHEAT TOUCHSCREEN



The Variheat can be controlled remotely either through a mobile device using a third-party Android/iOS app, or using a computer with a web browser that can run Active X.

The Variheat touchscreen must be connected to a LAN (local area network), accessible to the device or computer to be used.

Local area network connection

The RJ45 Ethernet port on the back of the touchscreen should be used (see page 49).

The default network IP address for the Variheat is 192.168.1.150, but may be changed as required (see section 2.1 Network setting).

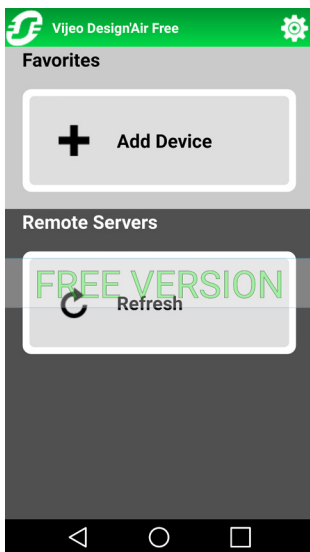
If the Variheat is only to be accessed by devices connected to the same network, no further network setup is necessary. If the Variheat is to be accessed from devices NOT connected to the same network, it is necessary to set port forwarding to the network IP address of the Variheat.

Ports to be forwarded

80
6000
6002

If the Variheat is to be accessed from devices NOT connected to the same network, a static public IP address for the network is recommended. If your ISP (internet service provider) is not able to provide a static IP address, third party solutions are available to provide a static IP address, which may involve a cost.

Once set up, the Variheat may be accessed from an ActiveX enabled browser such as Internet Explorer, or a mobile device using the Vijeo Design'Air app.



Using an Android/iOS mobile device

The Variheat touchscreen can be controlled by a mobile device. To access the Variheat by a mobile device, the Vijeo Design'Air app must be installed on the device. A free version is available with restricted usage time. A paid version is available with unlimited access. The setup procedure depends how the remote access is to be used.

If the Variheat is ONLY to be accessed when the device is connected to the SAME network as the Variheat:

After installing the app, open it and select "Add Device". In the fields that appear enter a name (e.g. Variheat), the network IP address of the Variheat (see section 2.1 Network setting) and leave the port number as the default setting. From now on the Variheat can be controlled from your mobile device by selecting it from "Favourites". Read the disclaimer carefully before accepting the terms and conditions of the app. The box needs to be ticked before the OK button can be pressed.

When the login window appears, login with the username "Webgate" and password. Both are case sensitive. The default password is "DefaultPass". For security reasons the Dantherm Group recommend this password is changed. (See section 2.1 User Security settings.)

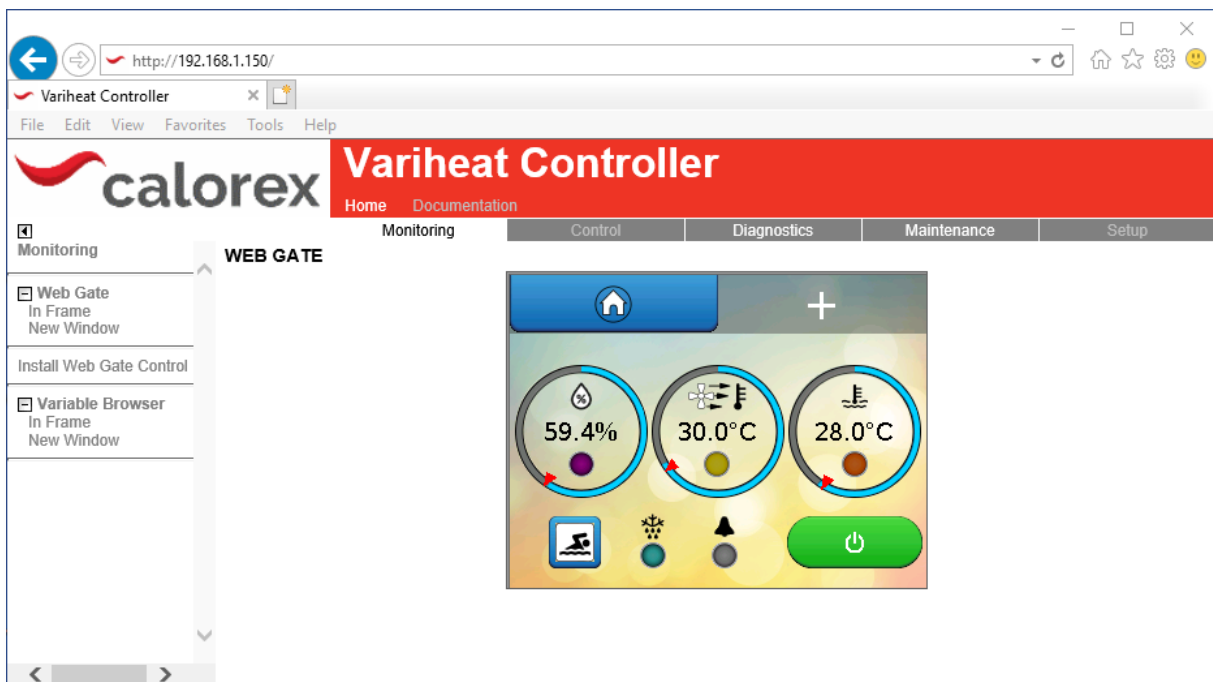
If the Variheat is to be accessed when the device could be anywhere:

First obtain the public IP address of the network the Variheat is connected to using another device that is connected to the same network. Search for "What is my IP" in a search engine and make a note. Ensure port forwarding has been set on the router as mentioned on page 31.

It is recommended to perform the app setup when the device is NOT connected to the same network as the Variheat (turn off wi-fi or leave the network area). After installing the app, open it and select "Add Device". In the fields that appear enter a name, e.g. "Variheat", the public IP address of the network and leave the port number as the default setting. From now on the Variheat can be controlled from your mobile device by selecting it from "Favourites". Read the disclaimer carefully before accepting the terms and conditions of the app. The box needs to be ticked before the OK button can be pressed.

When the login window appears, login with the username "Webgate" and password. Both are case sensitive. The default password is "DefaultPass". For security reasons the Dantherm Group recommend this password is changed. (See section 2.1 User Security settings.)

Depending on the router specification, these settings may also work whilst the device is connected to the same network as the Variheat. This can be tested with the device connected to the same network. If it does not work, it will be necessary to add a second device to the app, e.g. "Variheat home", using the network IP address (see above). Use the "Variheat" device when not connected to the same network and "Variheat home" device when connected to the same network.



Using an ActiveX web browser on a networked computer

To access the Variheat by a networked computer, a browser that can run ActiveX is required. This function has been designed and tested to work with Internet Explorer. Other browsers are not formally supported.

For first time setup instructions, see right.

Once the computer and browser have been setup, screen mirroring can be accessed as follows:

If the Variheat is ONLY to be accessed when the computer is connected to the SAME network as the Variheat:

In your browser address bar, enter the Variheat network IP address (default address 192.168.1.150) and press Enter or click Go.

If the Variheat is to be accessed when the device could be anywhere:

First obtain the public IP address of the network the Variheat is connected to using a computer that is connected to the same network. Search for "What is my IP" in a search engine and make a note. Ensure port forwarding has been set on the router as mentioned on page 30.

It is recommended to test this when the computer is NOT connected to the same network as the Variheat (turn off wi-fi or leave the network area). In your browser address bar, enter the public IP address of the network and press Enter or click Go.

Depending on the router specification, the public IP address may also work whilst the device is connected to the same network as the Variheat. If it does not work, it will be necessary to use the Variheat network IP address when the computer is connected to the same network.

Whichever method is used, when the Variheat Controller appears:

- Click "Monitoring" in menu bar of the main window.
- Click "In Frame" or "New Window" from under Webgate in the left-hand menu.
- When the login window appears, login with the username "Webgate" and password. Both are case sensitive. The default password is "DefaultPass". For security reasons the Dantherm Group recommend this password is changed. (See 2.1 User Security settings.)
- Read the warning message carefully and click "Continue to Main Screen." The Variheat can be controlled with a mouse as if using the integral touchscreen. Numbers and text can be entered with a keyboard.

Note that some settings can not be changed through remote access, e.g. Network Settings and Webgate Password.

ActiveX browser first time set up procedure

Follow the user access instructions on the left, with the following additional steps.

- When prompted, install the Vijeo-Webgate Control. This is stored on the Variheat controller, so internet access is not necessary. When prompted, allow Windows to install.
- When prompted, the Variheat IP address must be added to the browser Trusted Sites list. This is accessible on the Internet Explorer menu – **Tools > Internet Options > Security > Trusted Sites > Sites > Add**. It may be necessary to uncheck the "Require server verification" box to complete this action. This may be rechecked after the site has been added. If the IP address of the Variheat is changed, the new IP address must be added to the Trusted Sites list.
- When prompted, install the Active X runtime. This is stored on the Variheat controller, so internet access is not necessary. When prompted, allow Windows to install. If flagged by your anti-virus or firewall software, the runtime files should be allowed access.
- The browser should be restarted and standard user access instructions can then be followed.

3.0 INSTALLATION

Installation summary

The Variheat is a fully packaged system, supplied as a single piece, ready for positioning and connection to services. The Variheat is designed to be installed in an internal plant room. The Variheat is suitable for operating in plantroom temperatures from 0°C to +40°C.

Unloading and unpacking

On arrival, check the condition of the Variheat and that the controls, duct connections and pipe connections are in the positions ordered. Report any concerns to your supplier prior to installation.

Items included with Variheat

- User/Installation manual
- Warranty registration card
- Touchscreen removal adapter
- Pool pipework adapters:
 - 1in threaded to 1in solvent
 - 1in F to 1½in M
 - 1in F to 50mmF

Positioning

The Variheat must be kept upright at all times. The cabinet is designed to be supported from the bottom. If lifting with a crane, spreader bars should be used to protect the top of the cabinet from crushing.

Siting

Ensure sufficient access to controls, service access panels and connections for users and service engineers. Due consideration should be given to Health and Safety when designing access for users and service engineers.

Removing the fan module

In order to factory test the Variheat, it will be supplied complete, but if necessary, the fan module (and fresh air module, where fitted) may be separated to assist positioning where plantroom access is restricted. The following actions need to be completed:

- Disconnect flexible LPHW hoses
- Disconnect fan wiring, taking care to record all wire positions
- Unbolt fan module
- Unbolt fresh air module, if fitted, if required

Take appropriate care when moving the modules, which are very heavy, particularly the refrigeration module. Ensure suitable lifting equipment is available for the movements required.

Ensure all sections remain upright during positioning. To reconnect after positioning, reverse the actions listed above.

Summary of connections and services

Ductwork

- Return air, from pool hall
- Supply air, to pool hall
- Exhaust air, to atmosphere (if fresh air module, or negative pressure module fitted)
- Fresh air, from atmosphere (if fresh air module fitted)

Plumbing

- Pool water circuit, flow and return
- LPHW system, flow and return
- Condensate drain

Electrical

- Power supply

Remote interfaces (if required)

- Terminals
- Network connection
- BMS connections

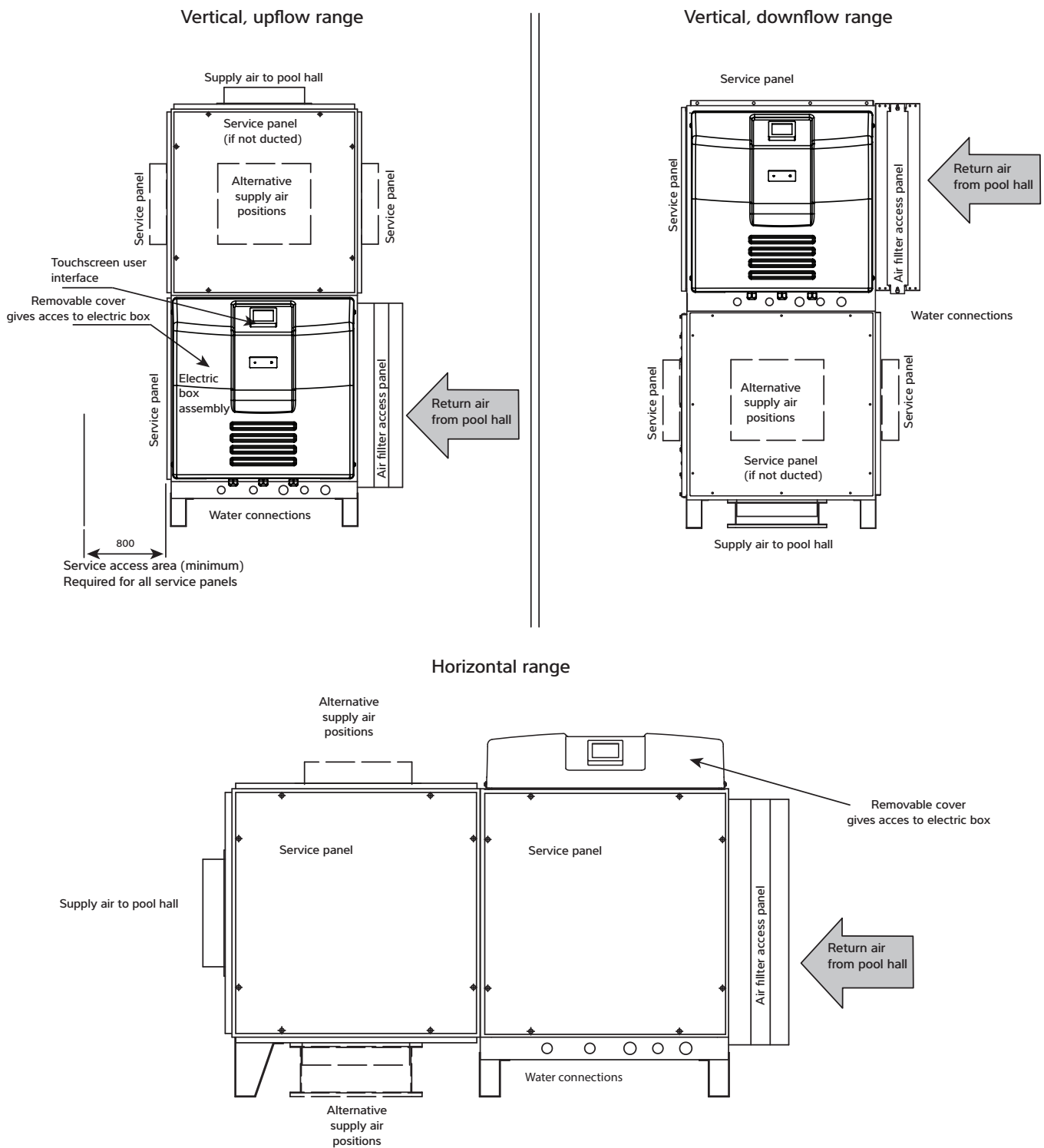
After installation

- Pre-commissioning checklist
- Initial start-up
- Commissioning
- Operator handover

Ongoing maintenance

The Variheat has been designed to operate continuously over a long service life. Preventative maintenance is essential to keep the system operating effectively and efficiently.

3.1 SITING, MACHINE LOCATION

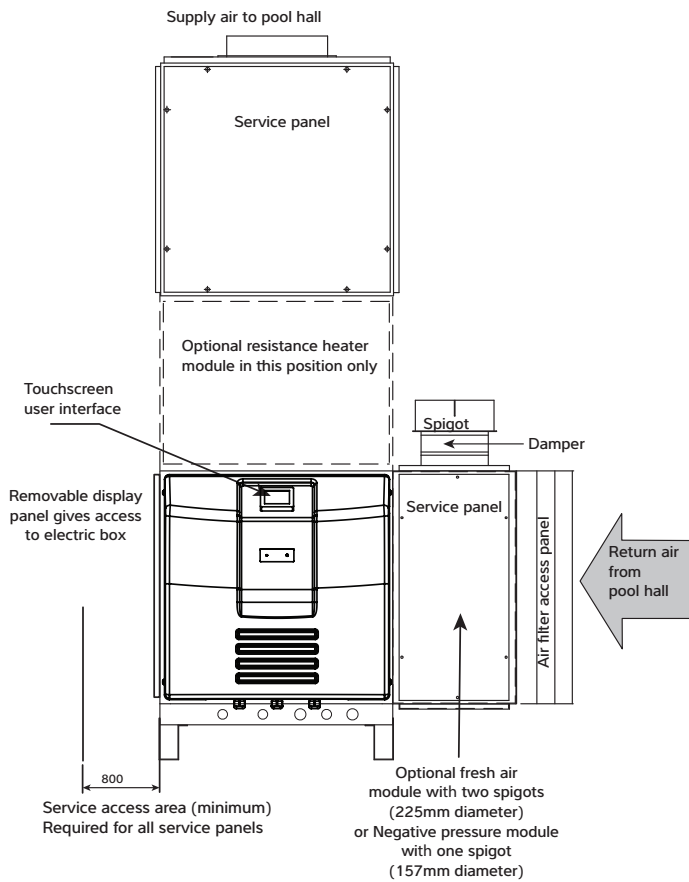


All ambient air ducting should be suitably insulated if plant room temperatures are significantly different from ambient, particularly where the plant room is at pool conditions. Spring return dampers are recommended for exhaust and fresh air ductwork in installations with sub zero ambient temperatures, in case of power failure.

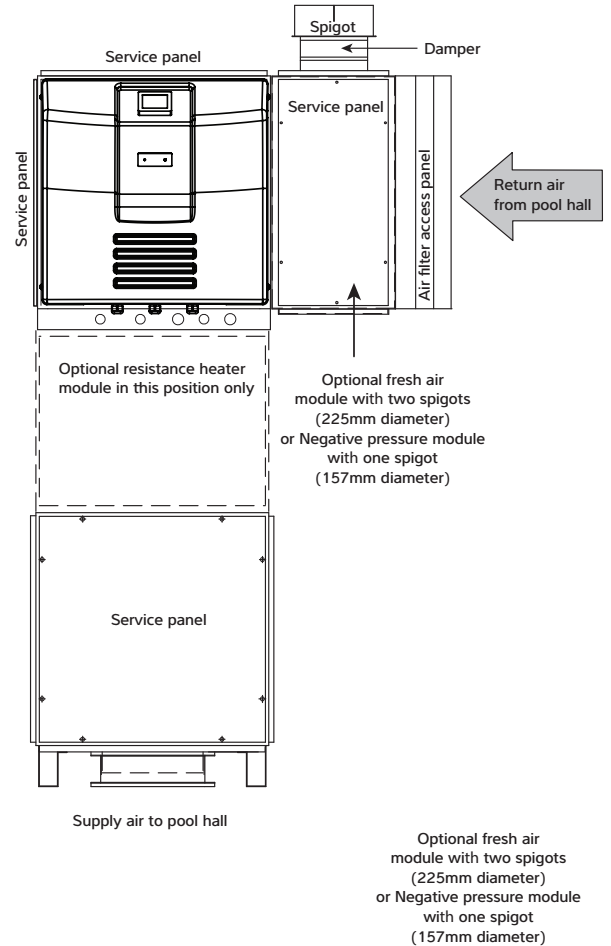
Important

AW600, 900 and 1200 models are fitted with constant flow fans and self-regulate to deliver the optimum airflow, compensating for pressure differentials in the system. AW1500 models are fitted with a variable speed, so the fan speed should be commissioned to ensure the correct volume (with dry coils, clean air filter and all panels fitted). See data sheet for pressures available.

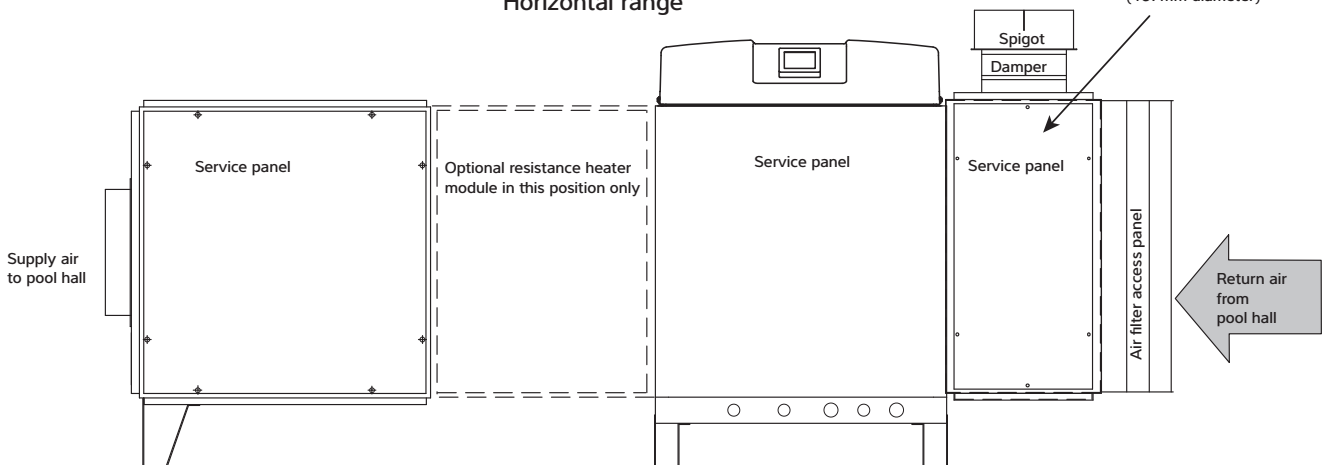
Vertical, upflow range



Vertical, downflow range



Horizontal range

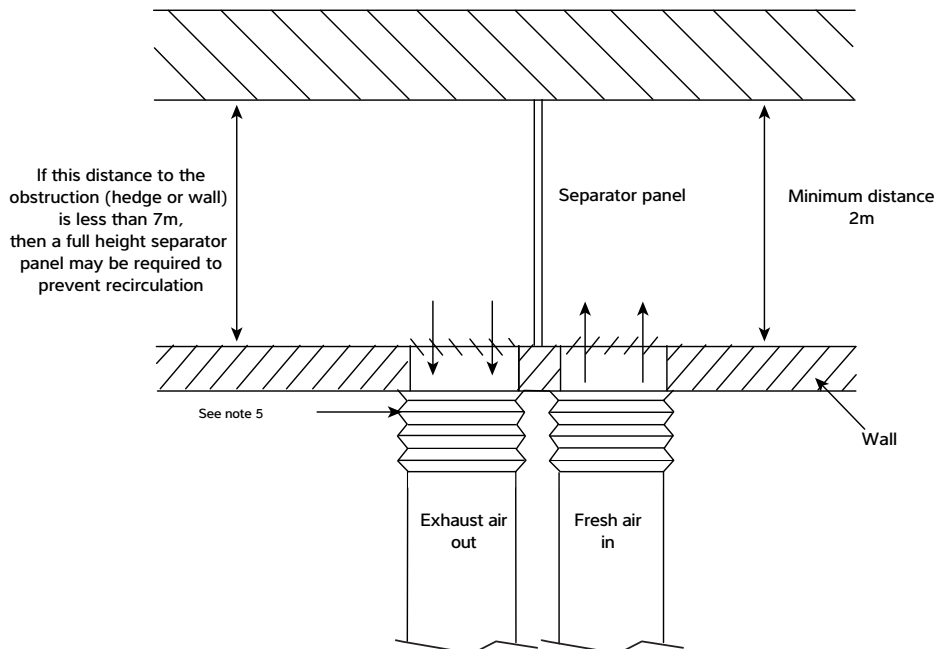
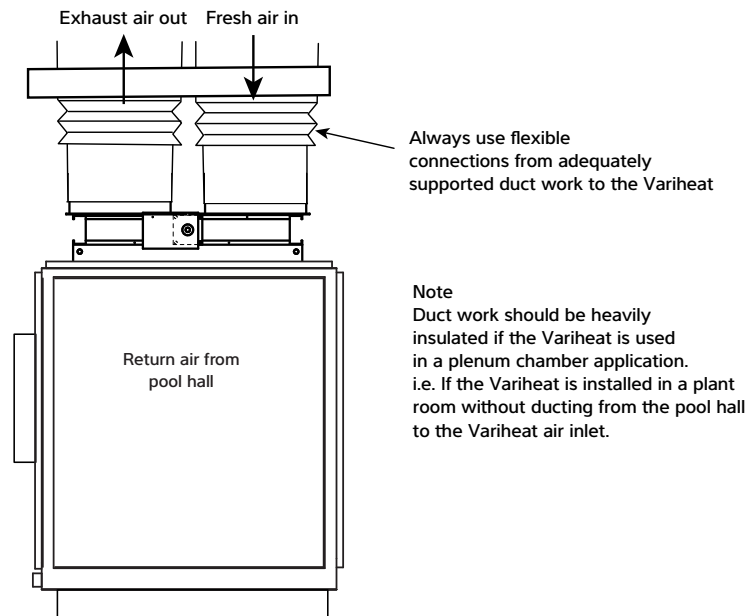


All ambient air ducting should be suitably insulated if plant room temperatures are significantly different from ambient, particularly where the plant room is at pool conditions. Spring return dampers are recommended for exhaust and fresh air ductwork in installations with sub zero ambient temperatures, in case of power failure.

Important

AW600, 900 and 1200 models are fitted with constant flow fans and self-regulate to deliver the optimum airflow, compensating for pressure differentials in the system. AW1500 models are fitted with a variable speed, so the fan speed should be commissioned to ensure the correct volume (with dry coils, clean air filter and all panels fitted). See data sheet for pressures available.

3.2 FRESH AIR AND EXHAUST AIR



Notes

1. Ensure duct work pressure drop including all inlet/outlet grilles does not exceed resistance given in data sheet, section 5.0.
2. Every effort must be made to prevent re-circulation of exhaust air back into the fresh air inlet.
3. Ensure fresh air inlet does not become blocked by debris (leaves, grass cuttings, etc).
4. If unit is located in a plant room at pool hall air temperatures any ambient air ducting must be heavily insulated.
5. Ensure flexible couplings are used to seal the ambient suction and discharge spigots from each other to prevent cold air from entering the plant room.

3.3 PLUMBING INSTALLATION

1. The Variheat should be connected as shown in section 3.0. If an existing heater is being retained then the Variheat should be connected between the filter and the existing heater.
2. Pool water connections on the machine are 1" BSPM stubs.
3. The unit is supplied with two off each of the following PVC fittings:
 4. 1" BSPF x 1" M
 - 1"F x 1½" M
 - 1½" x 50mm F
5. Suitable breakable couplings, isolation, and drain down valves should be installed in the pool water inlet/outlet pipes local to Variheat unit.
6. The heat exchanger in the Variheat will, on small pools, take the full flow rate of the recirculation system. On larger pools a bypass or separate auxiliary pump may be necessary. This method can also be used to reduce energy consumption, by the installation of a two speed or auxiliary pump by-passing the main pump/filter to satisfy pool water heating and dehumidification without the need for the main pump to be running.
7. When the pipework installation is complete the circulating pump should be switched on and the system checked for leaks. Also check the filter gauge to see that there is not excessive back pressure.
8. A filter or magnetic trap needs to be in the boiler circuit to prevent the heat exchanger in the Variheat from blocking up.

Condensate drain

1. The condensate drip tray in the Variheat collects the water removed by the dehumidification process, it is therefore necessary to ensure that the Variheat is placed on a level plinth so that the condensate can run away and not overflow the edges of the drip tray inside the machine.
2. All Variheat AW models have a ¾" BSPM threaded condensate drain connection. The drain pipe should run away with adequate fall to waste ie ½" per foot min. and must incorporate a 'U' trap and tun dish.

LPHW plumbing

1. The LPHW connections for connecting the boiler water flow and return to the Variheat are:
 2. ¾" BSPM on AW600/900
 - 1" BSPM on AW1200/1500
3. Suitable breakable couplings, isolation, and drain down valves should be installed in the boiler water flow and return pipes local to the Variheat.
4. Water and air LPHW circuits inside the Variheat should be bled for air pockets. (Bleed valves fitted internally).
5. A filter or magnetic trap needs to be in the boiler circuit to prevent the heat exchanger in the Variheat from blocking up.
6. Refer to the boiler manufacturers instructions before designing the pipework system.

Important general points

1. Do not route water pipes across service access panels or air inlet/outlets.
2. The water circuits to and from the Variheat should be capable of maintaining the specified water flow required.
3. All pipe work must be adequately supported with allowance for expansion and contraction especially with regard to the plastic pipe work.
4. It is recommended that when installing water systems the last connections to be made should be adjacent to the Variheat III to avoid undue stresses on the unit connections.
5. All pool purifying devices and chemical injection systems must be fitted down stream of the Variheat with a non-return valve to prevent concentrated chemicals back feeding into the heat exchangers.
6. The practice of dosing chemicals direct into skimmer basket must not be allowed as this would result in concentrated corrosive liquids passing over vulnerable metal components.
7. Water quality must be maintained not only relating to solids, etc but for pH between 7.4 – 7.8, and if pool water is saline at a maximum concentration of 8mg/litre.
8. See warranty exclusions on page 67. for total list of water quality limits.

3.4 DETERMINING WATER FLOW

a. Flow Meter Method (see Fig 3)

Ensure isolation valves 'A' and 'B' and bypass valve 'C' are fully open. Slowly close down bypass valve 'C' until correct flow rate (See section 5.0 DATA SHEET on page 57) is shown on the flow meter. Remove handle and lock off valve 'C'.

b. Differential Pressure Method (see Fig 3)

By simply installing two filter pressure indicating gauges, one each on the inlet and outlet of the heat pump, and a locking type gate bypass valve in the bypass line, the flow rate through the heat pump can be accurately determined by the difference in the readings of the gauges. This pressure drop is proportional to flow. Flow rate should be set at the maximum differential with a clean filter if fitted. This differential pressure will drop as the filter becomes dirty. Provided the filter is cleaned before the minimum differential is reached (which would normally be the case with a well managed system) then no problems should be encountered.

Setting up the differential

When installation is complete, the procedure for setting the flow rate through the heat pump using two gauges is as follows:

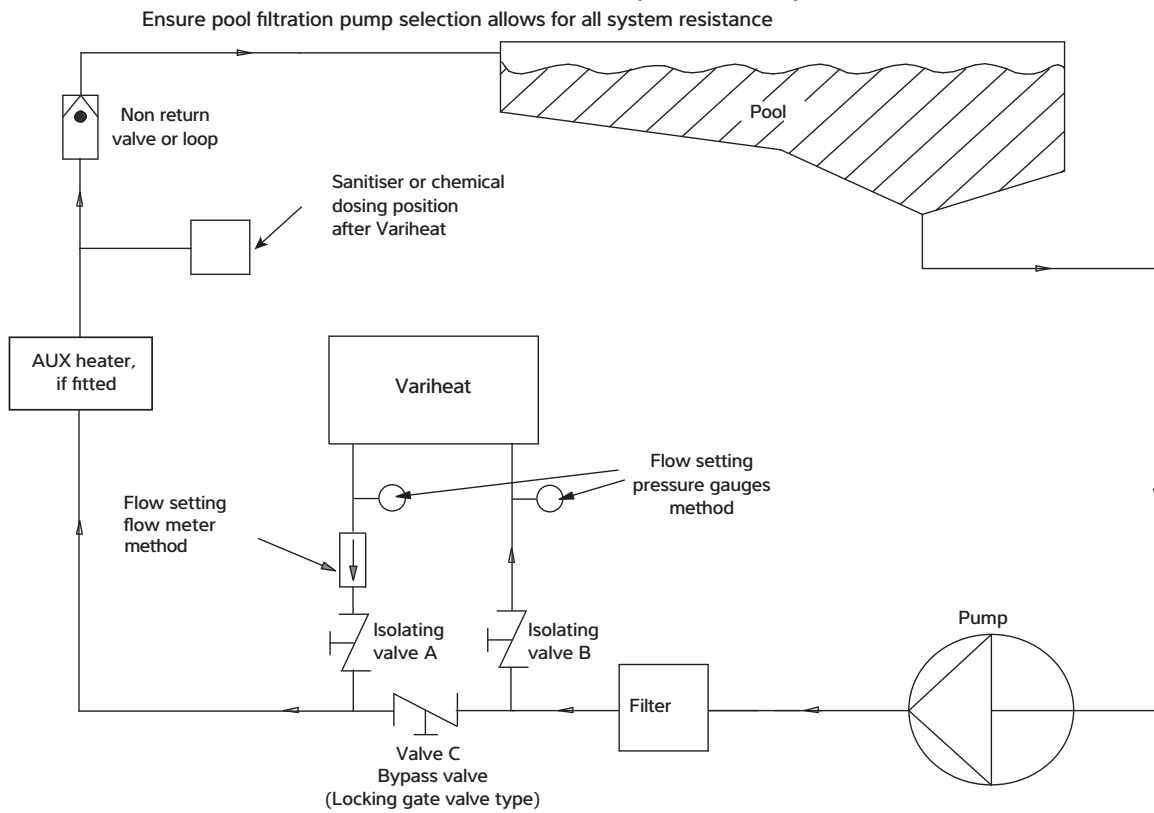
1. With the heat pump switched off ensure isolation valves 'A', 'B' and bypass valve 'C' are fully open.
2. Note the System Pressure on both gauges – they should read the same, but due to manufacturing tolerances they may be different.
3. Switch on water circulating pump.

For example; with a water System Pressure of 5mhd the gauge on the inlet may read 5 and the outlet gauge 5.5 therefore there is a STATIC ERROR DIFFERENCE of 0.5mhd.

4. Gradually close the bypass valve 'C' until there is a difference in pressure between the two gauges that is equal to the required pressure drop (See section 5.0 DATA SHEET on page 57) observing any static error on the gauges before beginning this process.
5. Lock the bypass valve, or render it tamper proof, when correct setting is achieved.
6. See section 5.0 DATA SHEET on page 57 for correct water pressure drop.

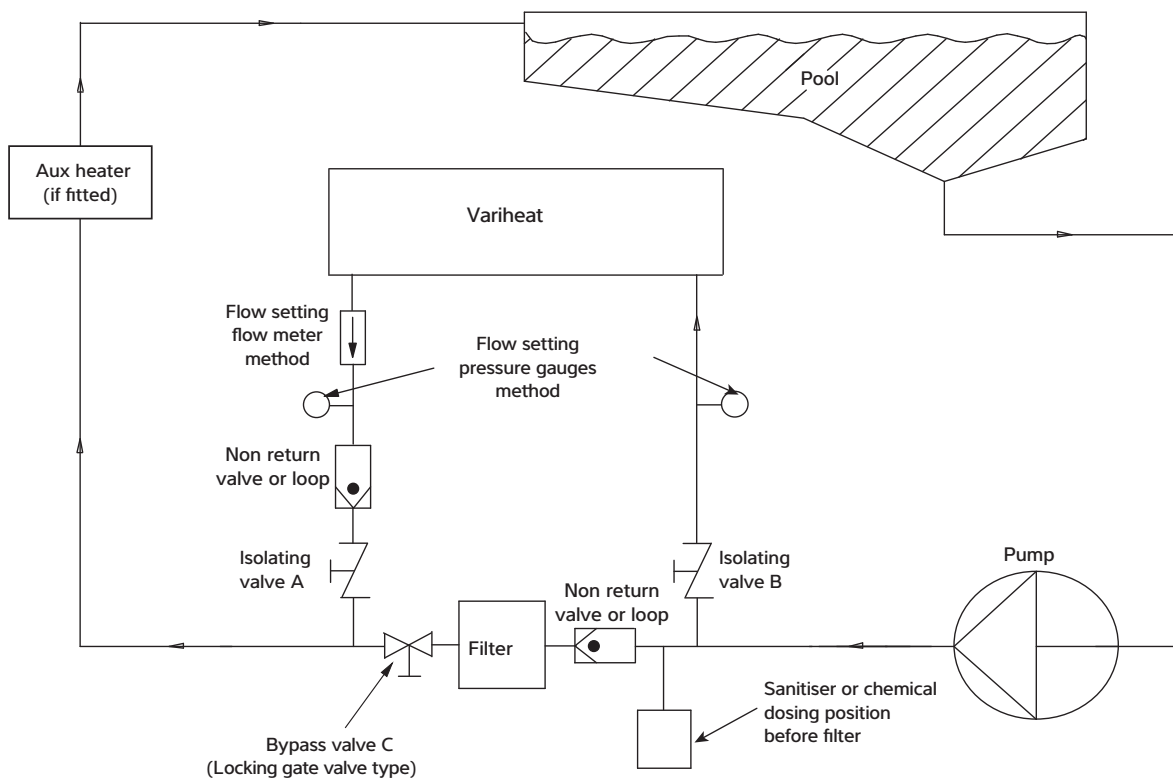
Fig 3

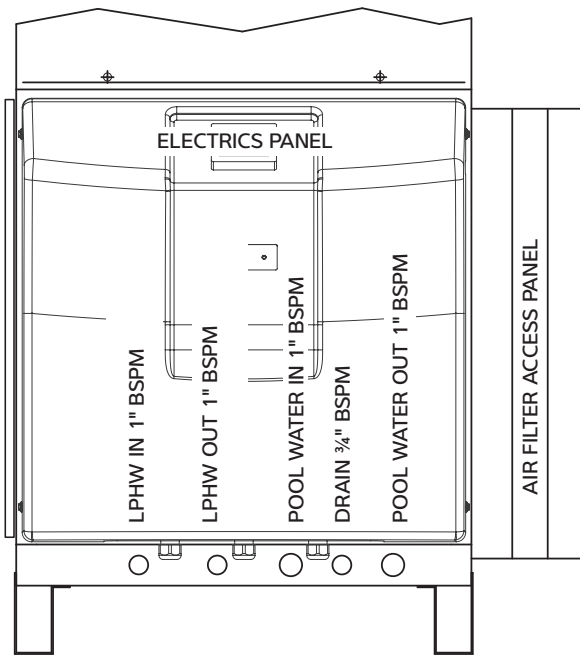
Pool water schematic (standard)



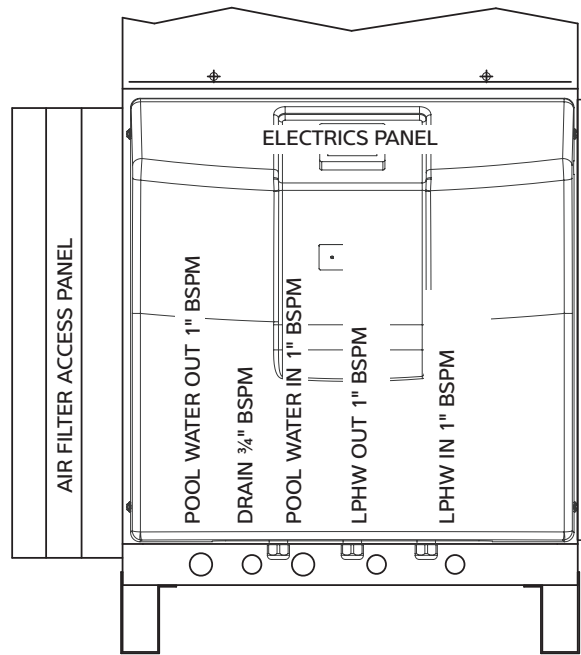
Pool water schematic (filter dosing)

Ensure pool filtration pump selection allows for all system resistance



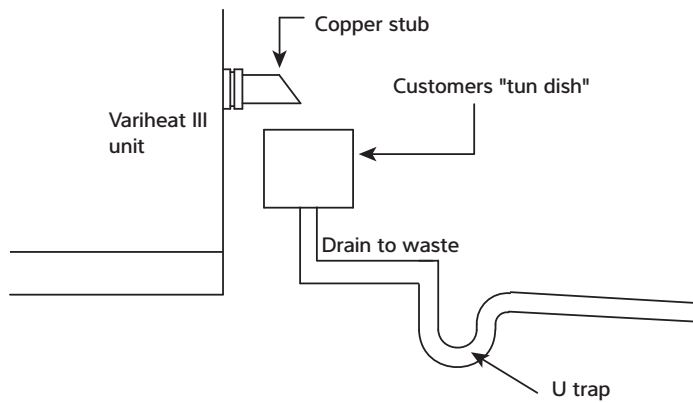


Variheat with standard pipe connections

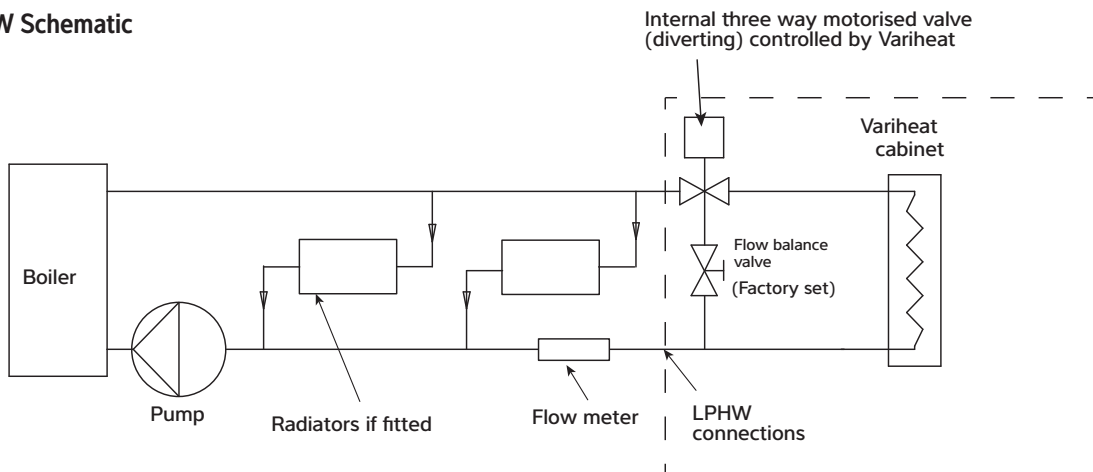


Variheat with RF pipe connections

Condensate drain



LPHW Schematic



3.5 ELECTROLYTIC CORROSION IN SWIMMING POOLS

Electrolytic corrosion will occur when dissimilar metals that are in contact with each other create a potential difference (voltage) between them. Sometimes, when separated by a conductive substance known as an electrolyte, the dissimilar metals will create a small voltage that allows the ions of one material to pass to the other.

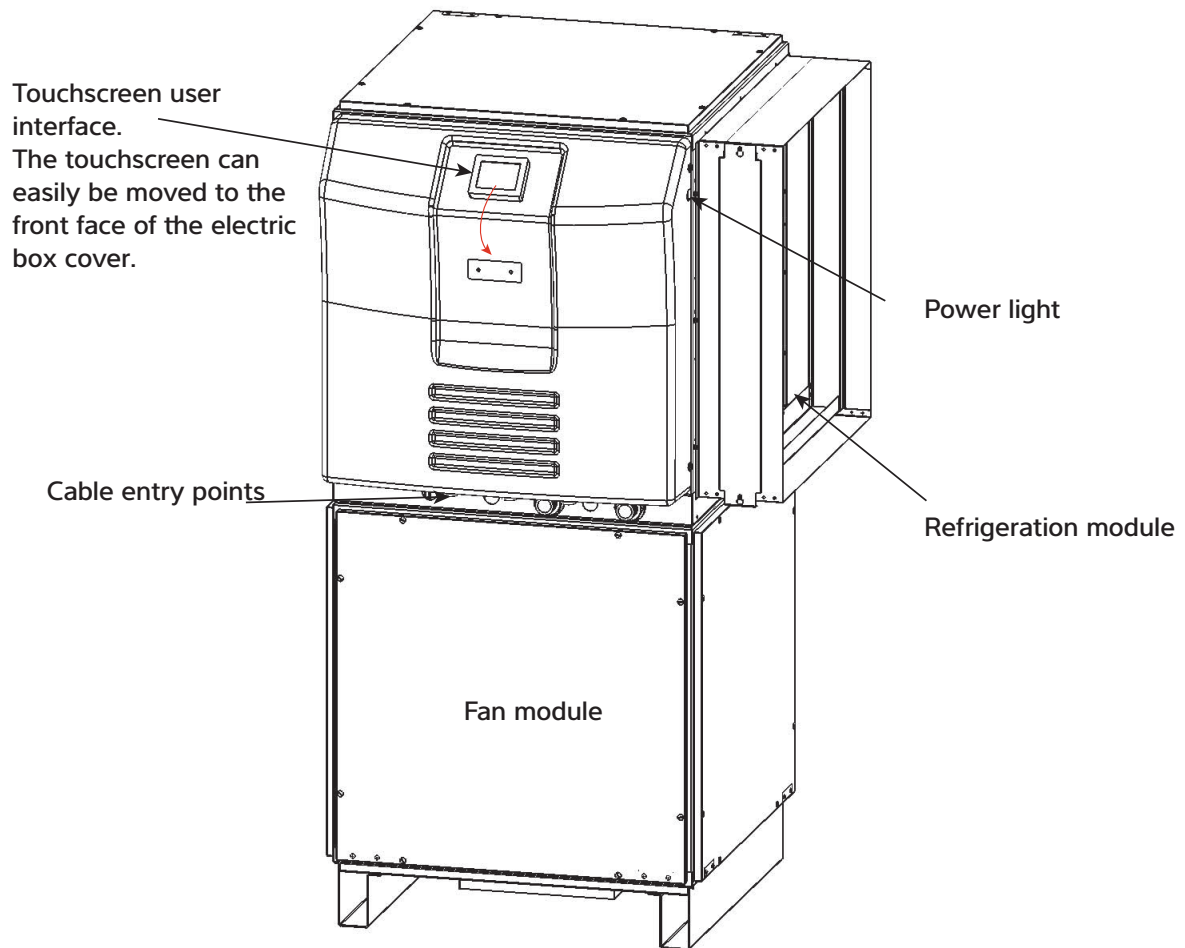
Similar to a battery, ions will pass from the most positive material to the more negative material. A voltage of more than 0.3 volts can cause the most positive material to degrade.

A swimming pool with its associated equipment can create this effect. The pool water being an ideal electrolyte and components of the filtration circuit, heating system, steps, lights etc providing the dissimilar metals needed to complete the circuit.

Whilst these small voltages are rarely a safety threat, they can create premature failure through corrosion. Not dissimilar to corrosion through oxidation, electrolytic corrosion can cause complete failure of a metallic material in a very short period of time.

In order to prevent this type of corrosion all metallic components in contact with swimming pool water should be bonded together using 10mm² bonding cable. This includes non-electrical items such as metal filters, pump strainer boxes, heat exchangers, steps and handrails. It is strongly recommended that bonding be retrofitted to existing pools, which may not be protected by this system.

3.6 ELECTRICAL CONNECTIONS



There are 3 cable glands in the electric box tray and two further knock-outs. Use the left hole for access to the power terminals. Use other available access points for the optional interface terminals.

All terminals are accessible by removing the electric box cover.

The touchscreen can be moved from the default location to the alternative position if this is more convenient for the user to access.

With the power isolated and the black cover removed, the screen rear can be removed by pressing the button on top. The screen can be unscrewed and moved to the alternative location or rotated by 180°. To rotate by 90°, remove the locating pin and ensure the screen is securely fixed to prevent rotation. Once the touchscreen is positioned, reattach the rear module.

3.7 ELECTRICAL INSTALLATION

Electrical safety

It is important to ensure that all aspects of the installation comply with the latest I.E.T. Regulations. It is also important to ensure that any remote devices which terminate within the pool hall are of the type and voltage as specified in the I.E.T. Regulations latest edition.

The machine should be installed in accordance with EMC2004/108/EC.

Protected supply

Whilst not mandatory, the Dantherm Group recommend that an R.C.C.B. is always fitted or that the supply is to local electricity authority recommendations, and that all ducting is bonded in accordance with these regulations.

The supply to the machine should incorporate fuses or motor rated circuit breakers (Type C) to specified rating. (See section 5.0 DATA SHEET on page 57.) H.R.C. fuses are recommended. An isolator must be fitted within clear view and not more than 2 metres away. The isolator must have a minimum 3mm air gap in the off position.

All units must be correctly earthed/grounded. An earth leakage trip is recommended to be fitted to all pool electrics.

Inconsistent electrical supply

The following limits of operation must not be exceeded if Calorex machines are to be guaranteed either in performance or warranty terms:

Voltage	Minimum	Maximum
Single phase machines	207V	253V
Three phase machines	360V	440V
Frequency	47.5Hz	52.5Hz

Note: The voltage must be measured at the heat pump mains terminals with all the fans/compressors running at the rated load condition.

Correct cable sizing

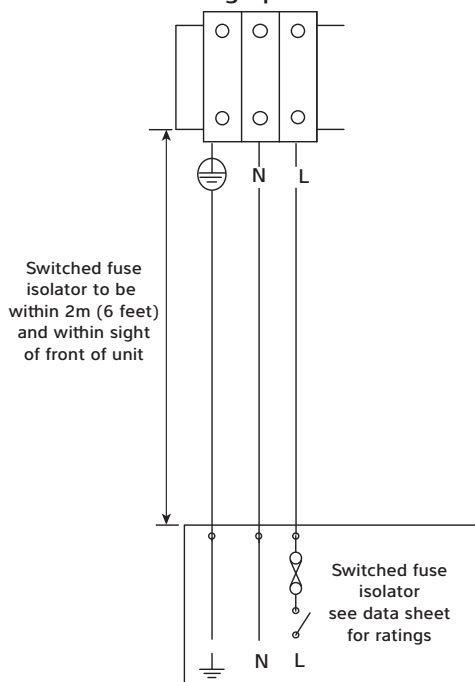
The cable supplying electricity to a machine with a given load must increase in cross sectional area (C.S.A) as the length increases in order that the voltage drop within the cable does not exceed recommended limits. **Cable sizing should be calculated by an approved electrician with due consideration to I.E.E and local codes of practice.**

Note: Three phase Variheat models 1200 and 1500, are fitted with phase protection and will not run if phases are connected incorrectly.

Warning: The red lamp adjacent to the control panel indicates that the Variheat is live. It is necessary to wait three minutes after the supply is disconnected before removing any panels or commencing servicing of the Variheat.

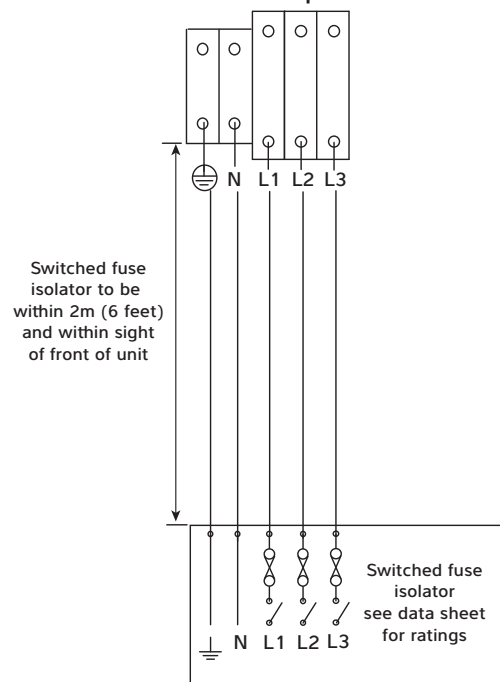
Power supply terminal block layout

single phase



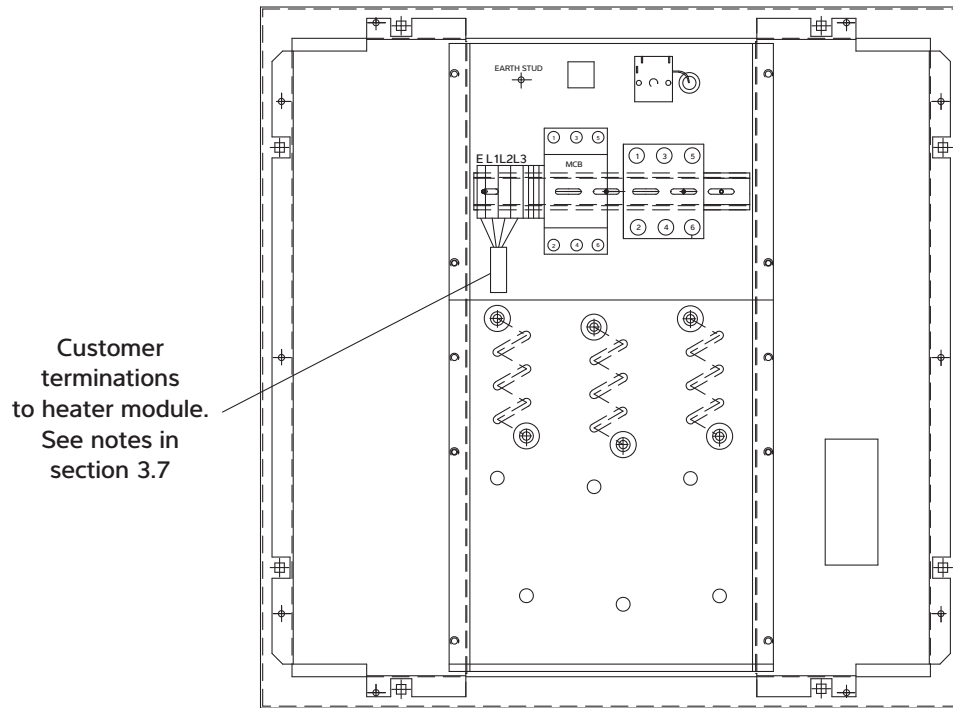
Power supply terminal block layout

three phase

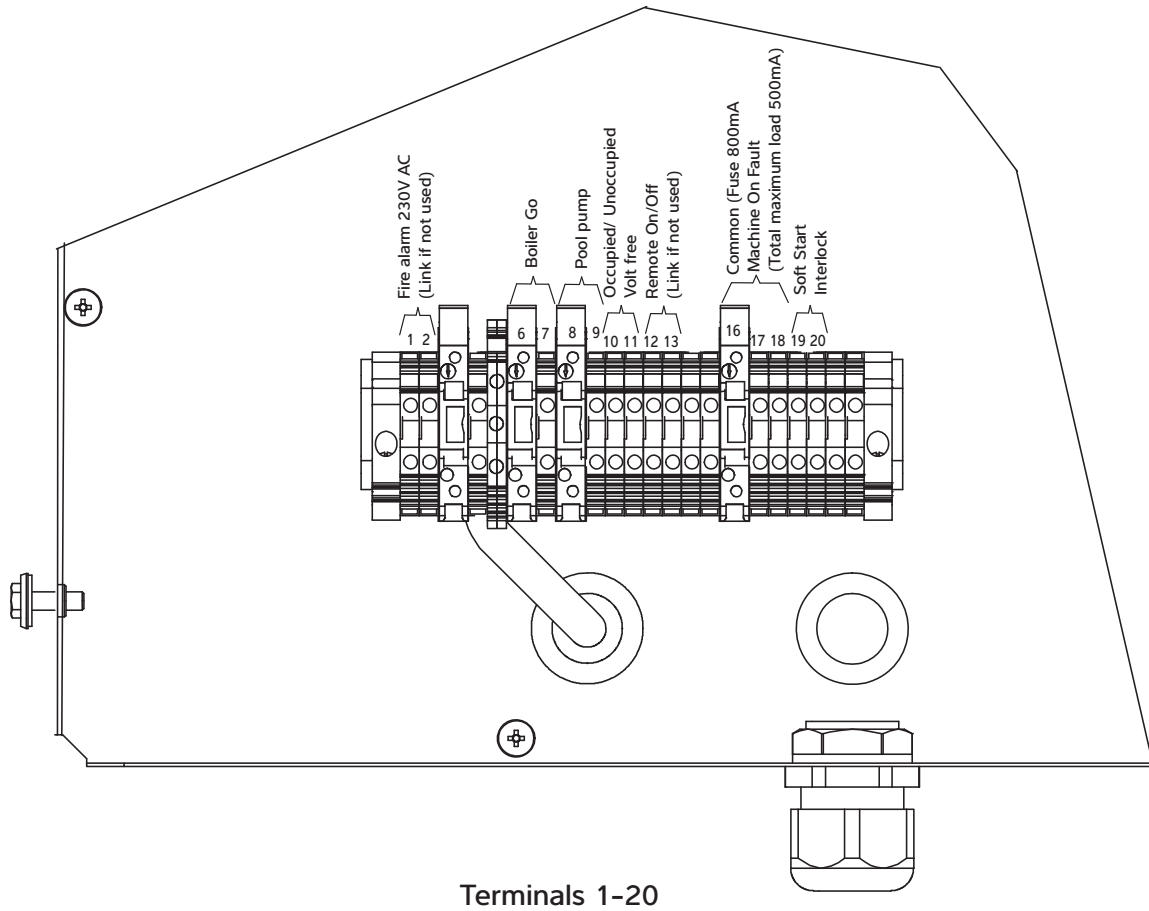


Separate mains supply terminal blocks for resistance heater modules layout single and three phase

(no connection to terminals L2 and L3 on single phase units)



3.8 VOLT FREE TERMINALS AND REMOTE ACCESS



Fire Alarm interface – terminals 1/2

For activating Standby mode in the event of a fire alarm. To enable the Variheat to run normally, the remote switch should be closed. To put the Variheat into Standby mode, the remote switch should be open. The remote switch should be volt free and suitable to switch 230V. An alarm will show on the control system when the fire alarm is activated.

If the fire alarm interface is required, the factory-fitted link wire should be removed.

If this facility is not required, the factory-fitted link wire should be left in place.

“Boiler Go” demand – terminals 6/7

For remote indication that the Variheat LPHW heat exchangers are in operation, used to indicate that the Variheat requires LPHW to provide supplementary heating. This could be used to control a boiler, LPHW pump, LPHW control valve, or BMS – whichever are required to enable LPHW flow to the Variheat.

These are volt free contacts rated at 0.5A at 230V. Contacts close when LPHW is required.

If the LPHW supply to the Variheat is to be activated by the Variheat control system, these terminals should be used to enable the LPHW supply. The specifics of this connection depend on the design of the LPHW system design.

If the LPHW supply to the Variheat is not dependent on demand from the Variheat control system, these terminals do not need to be used.

“Pool Pump Run” demand – terminals 8/9

(See page 48.)

“Time clock override” (remote Occupied/Unoccupied) – control terminals 10/11

For remote control of the Variheat Occupied/Unoccupied mode.

To enable Occupied mode, the remote switch should be closed. To enable Unoccupied mode, the remote switch should be open. These terminals can be connected to a user switch, pool cover micro-switch, BMS, or whatever system determines the usage mode of the pool. The remote switch should be volt free and suitable to switch 24Vdc.

If remote control of Occupied/Unoccupied is to be used, the User interface should be set to Unoccupied. (See User Settings.)

If this facility is not required, these terminals do not need to be used.

“Remote On/Off” – terminals 12/13

For remote control of On/Standby. To enable Variheat to run, the remote switch should be closed. To set the Variheat to Standby, the remote switch should be open. The remote switch should be volt free and suitable to switch 24Vdc.

Refer to Standby button function in the User instructions.

If remote On/Off control is required, the factory-fitted link wire should be removed.

If this facility is not required, the factory-fitted link wire should be left in place.

“Volt free” status signals – terminals 16/17/18

For remote status indication. These are shared volt free contacts rated at a maximum combined 0.5A at 230V.

Terminal 16 – Common.

Terminal 17 – Variheat On. Contacts close when Variheat is On.

Terminal 18 – Fault. Contacts close when a fault is active.

If this facility is not required, these terminals do not need to be used.

“Remote Damper” control – terminals 63/64/65

(See page 49.)

“Pool Pump Run” demand – terminals 8/9

For control of the water pump that pumps through the Variheat pool water circuit. If this pool water pump runs continuously, these terminals do not need to be used. If this pool water pump is controlled NOT to run continuously, these terminals must be used to start the pump when it would otherwise be off.

These are volt free contacts rated at 0.5A at 230V. Contacts close when the Variheat requires pool water flow.

Where the pool water pump is controlled by a time clock (supplied by the others) the Variheat control system can override “pump off” periods to ensure pool water flows through the Variheat when required. Using these terminals, in conjunction with the pool pump time clock, the pool filtration pump will run when:

1. A “pump on” period has been set by the time clock for filtration purposes.
2. The Variheat needs to provide heat recovery to the pool water or the pool requires supplementary heating.

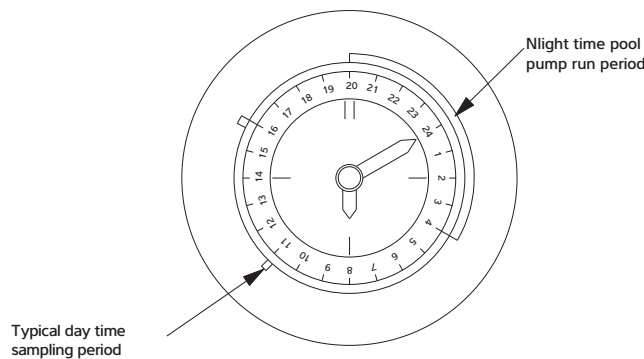
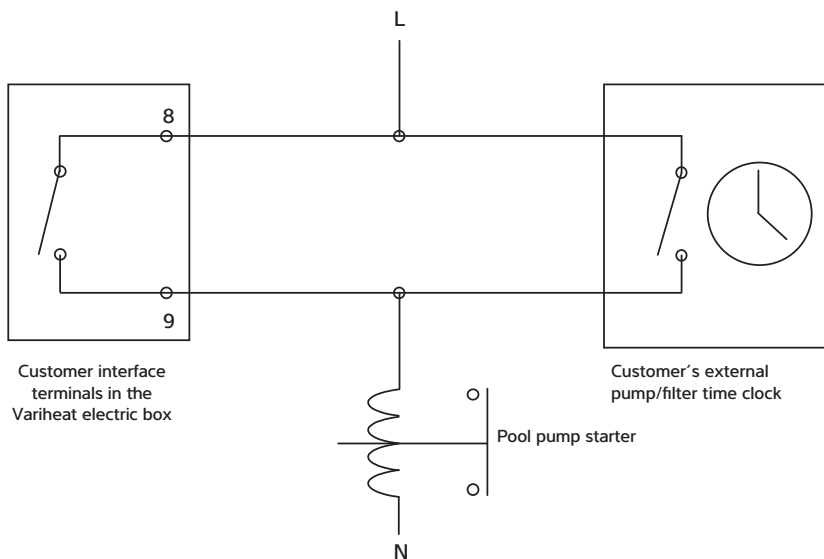
If the pool water pump runs continuously these contacts do not need to be used.

Swimming pool filtration pump time clock

If the pool filtration pump is controlled by its own time clock (not part of Variheat), that time clock should be set as required, with the addition of sampling periods to allow the Variheat to check and maintain the pool water temperature.

If the pool water temperature is below the set temperature during the sampling period, the Variheat unit will continue to run the filtration pump to allow the pool to be heated until the set temperature is reached. (See User Settings).

The Variheat control system may override the pool filtration pump time clock.



“Remote Damper” control – terminals 63/64/65

For control of a remote damper when Advanced Frost Protection is active.

These are powered terminals. Terminal 63 is Live (230V) when Advanced Frost Protection is active. Terminal 63 is fused at 160mA at 230V. Terminal 64 is Neutral. Terminal 65 is Earth.

If this facility is not required, these terminals do not need to be used.

Advanced Frost Protection

(Used when the remote damper is installed).

Advanced Frost Protection behaves in the same way as the standard Frost Protection with the addition of closing the remote damper. It also activates under the same conditions as standard, but will not deactivate when the temperature rises immediately. Instead, the machine will check the ambient temperature periodically (every six hours by default).

For each check, the remote dampers are opened for a short time (five minutes), fresh air is allowed to reach the probe and if the temperature has risen above the set point then Advanced Frost Protection is deactivated. If the temperature is still too cold, the machine remains in Advanced Frost Protection mode until the next check. An option to force a check can be found on the Set Points and Switches screen in the User Settings but only while Frost Protection is active.

3.9 NETWORK CONNECTION

Local area network connection

For screen mirroring to function (see Section 2.2 Remote access) the Variheat touchscreen must be connected to a LAN (local area network). The RJ45 Ethernet port on the back of the touchscreen should be used. The Ethernet controller supports the MDI/MDIX auto-crossover cable function, and may be used with either T568A or T568B wiring standards.

The default network IP address for the Variheat is 192.168.1.150, but may be changed as required (see section 2.1 Network setting).

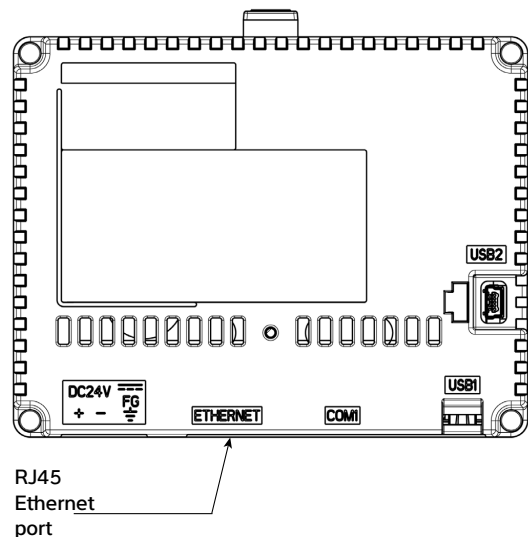
If the Variheat is only to be accessed by devices connected to the same network, no further network setup is necessary. If the Variheat is to be accessed from devices NOT connected to the same network, it is necessary to set port forwarding to the network IP address of the Variheat.

Ports to be forwarded

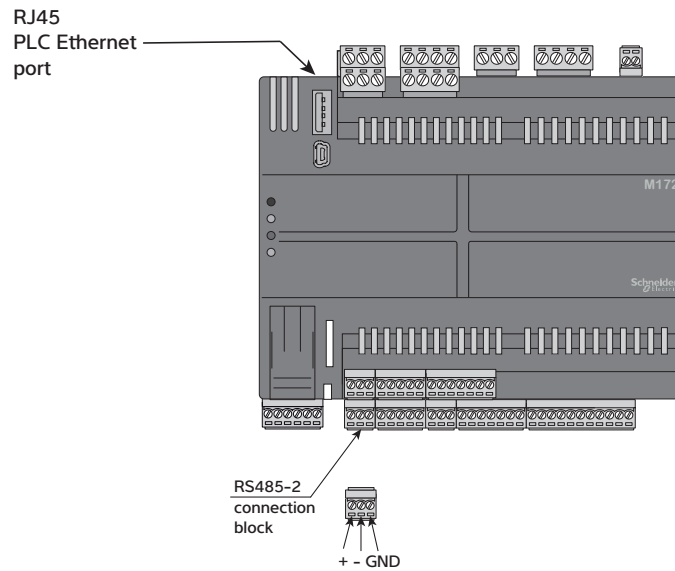
80
6000
6002

If the Variheat is to be accessed from devices NOT connected to the same network, a static public IP address for the network is recommended. If your ISP (internet service provider) is not able to provide a static IP address, third party solutions are available to provide a static IP address, which may involve a cost.

Once set up, the Variheat may be accessed from an ActiveX enabled browser such as Internet Explorer, or a mobile device using the Vijeo Design'Air app. See section 2.2 Remote access for more details.



**3.10 BMS CONNECTION
(BUILDING MANAGEMENT SYSTEM)**



In addition to screen mirroring to the touchscreen (see Section 2.2), the following options for connecting a BMS are included as standard.

- Modbus/RTU
- BACnet/IP
- BACnet MS/TP

Modbus is available via the RS485-2 interface on the PLC.

BACnet IP is available via the Ethernet port on the PLC.

BACnet MS/TP is available via the RS485-2 interface on the PLC.

(Only one BACnet connection may be used at any one time. BACnet and Modbus may not be used at the same time.)

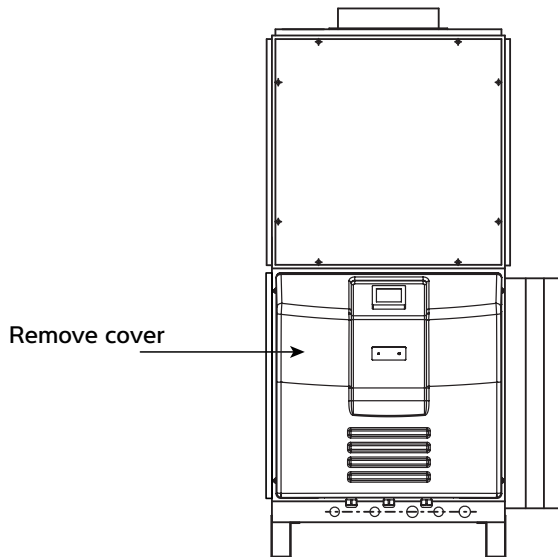
For configuration settings, see the BMS Settings screen and PLC Ethernet Setting screen in Section 2.2 Advanced Settings.

For Modbus Variable list and BACnet Object list please consult the Dantherm Group.

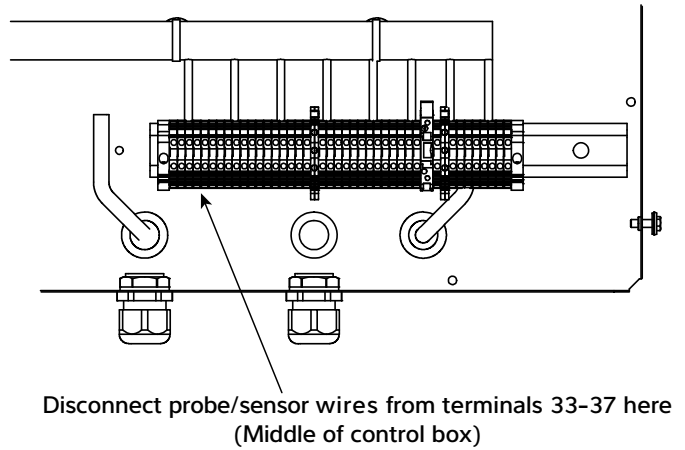
3.11 OPTIONAL REMOTE SENSOR BOX

A remote sensor box is available allowing the air temperature and humidity sensors to be mounted in the pool hall. This may be beneficial if the sensors located within the Variheat cabinet are not able to get a representative measurement of the conditions.

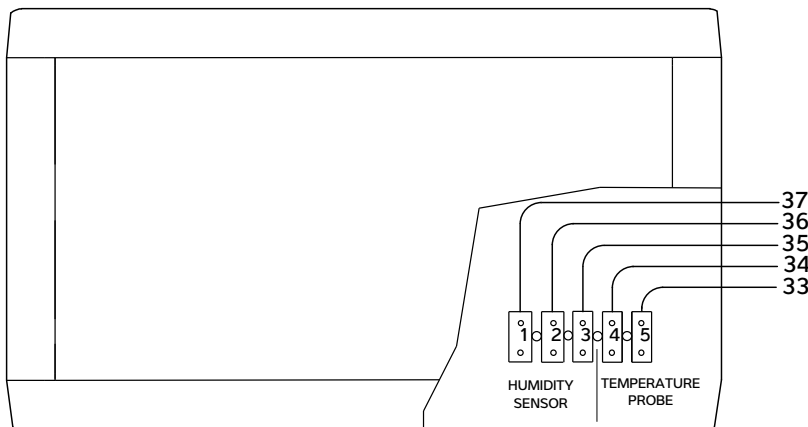
When using 0.5mm² cable, the maximum total distance between the sensors and their terminals is 20 metres.



Terminal block layout



Remote sensor box



Connect terminals in sensor box to electric box terminal numbers

After the Remote Sensor Box has been connected it may be necessary to calibrate the sensor offsets. See Advanced Settings, OFFSETS for how to do this.

4.0 AFTER INSTALLATION

When the Variheat leaves the Dantherm Ltd. factory it is fully tested and is ready to operate when connected to the correct power supply, services and ductwork. The default settings allow the Variheat to be powered and started safely, provided the pre-commissioning checklist has been actioned.

Pre-commissioning checklist

In order for the Variheat to be properly commissioned after installation, the following actions are essential:

- The pool hall structure is complete and sealed according to the design specification.
- All ductwork is fully installed and finished, including all inlet and outlet grilles.
- The pool water filtration system is connected, complete, fully commissioned and operational.
- LPHW connections are complete and the heat source is installed, fully commissioned and operational.
- All electrical connections are complete and all power and control systems are wired and fully commissioned.

Initial start-up

After installation and completion of the services on the pre-commissioning checklist, the Variheat can be started:

- Connect power by turning on the local isolator.
- Confirm the red power light illuminates.
- The touchscreen should turn on and go through a start-up sequence after a short delay. If the touchscreen does not start, check:
 - Correct phase rotation
 - Control MCB inside the electric box is turned on
 - Touchscreen cable connections
- When the touchscreen displays the first home screen, the Variheat can be turned on via the touchscreen (see User Settings).

The Variheat should be started well before commissioning to ensure the pool water and air have reached design temperatures prior to commissioning. The default settings will normally allow the Variheat to stabilise the conditions ready for commissioning.

Several days may be required to heat up the pool water. If the pool is covered, the Variheat may be put into 'water heating only' mode (see User Settings) to save energy on air heating while the pool heats up. If high humidity or condensation occurs, the Variheat should be returned to full-function operation.

When connected to an air-source heat pump as the LPHW source, it may be necessary to swap the Variheat over to 'heat recovery to air priority' to help heat the pool hall (see User Settings).

Commissioning

For full commissioning procedure, please refer to separate commissioning document and report, which should be completed fully. Summary of commissioning procedure:

Pool hall and plant room

- ✓ Check – is the building finished in accordance with the original plans and specification, ready for commissioning? Check current temperatures and humidity, calibrate air/water temperature and humidity sensors.
- ✓ Check – is Variheat service and maintenance access adequate?

Ductwork and air flows

- ✓ Check – is all ductwork and any plenum chamber insulated? Special attention should be made to the insulation of any exhaust air and fresh air inlet ducting to prevent condensation problems.
- ✓ Check – are there any significant draughts in the pool hall (or plant room if used as a plenum) through poorly fitting doors, windows, pipe ducts, etc? This will let in unwanted ambient air, affecting control, efficiency and energy usage.
- ✓ Check – are exhaust air and fresh air ductwork properly sealed from plant room and other parts of the building?
- ✓ Check – the above should be checked by measuring plant room and pool hall air temperatures. If the plant room is acting as a plenum chamber both temperatures should correspond. If the plant room air temperature is lower, then ambient air is leaking in. This leak should be located and rectified.
- ✓ Check – are all air inlets and outlets free from obstructions? Are exhaust air and fresh air grilles adequately separated and not allowing recirculation from exhaust to inlet?
- ✓ Check – are air filters clean?
- ✓ Action – measure air volumes and commission fan speeds.

Pool water

- ✓ Check – is pool water connected correctly?
- ✓ Check – is pool water flow rate correct?
- ✓ Check – is pool cover installed and used?

LPHW

- ✓ Check – is LPHW connected correctly and insulated?
- ✓ Check – is LPHW flow rate correct?
- ✓ Check – size and type of LPHW heat source?
- ✓ Record – LPHW flow and return temperatures with air and water heat exchangers in operation.

Electrical

- ✓ Check – is electric installation complete?
- ✓ Check – is local isolator present?
- ✓ Check – is MCB suitable for the Variheat model installed?
- ✓ Record – MCB details
- ✓ Check – is fan rotation direction correct?
- ✓ Record – which customer terminals are in use.
- ✓ Record – compressor and fan running amps.
- ✓ Check – is auto-restart on power loss set to On or Off?

Heat pump

- ✓ Check: Are all heat exchangers in good condition?
- ✓ Check: Is condensate connected correctly?
- ✓ Record: Confirm refrigeration operating pressures.

Controls

- ✓ Check – function of touchscreen.
- ✓ Check and record – Recalibrate sensors, if necessary. (Ensure Variheat has been running for at least 30 minutes before calibration).
- ✓ Check and record – User Settings and record.
- ✓ Check – Time clock or remote override settings.
- ✓ Check – is auto-restart on power loss set to On or Off?

Commissioning report

- ✓ Action – complete commissioning report with all details.
- ✓ Check – Variheat is fully operational following commissioning.
- ✓ Check – operator has access to User instructions.

Operator handover

When commissioning is complete and there are no outstanding actions to complete, the Variheat is ready to be handed over to the operator. The operator should be made aware of the user instructions and familiarised with the basic controls on the Home screens. The operator should be made aware of the ongoing maintenance requirements. (See 4.1.)

4.1 MAINTENANCE

Operations carried out during a planned maintenance visit are as follows:

1. Replace all belts & filters where fitted.
2. Check operation and condition of all fans and compressors.
3. Check capacitor tolerances.
4. Check condition of all heat exchangers/evaporators.
5. Check refrigeration system parameters.
6. Check operation of control valves.
7. Check for water leaks.
8. Check drip trays and internal drain lines for blockages and clear.
9. Check operation of controls and calibrate as necessary.
10. Check operation of interlocks in use.
11. Final check on overall operation of unit.
12. Indicate on report any faults found or causes for concern.

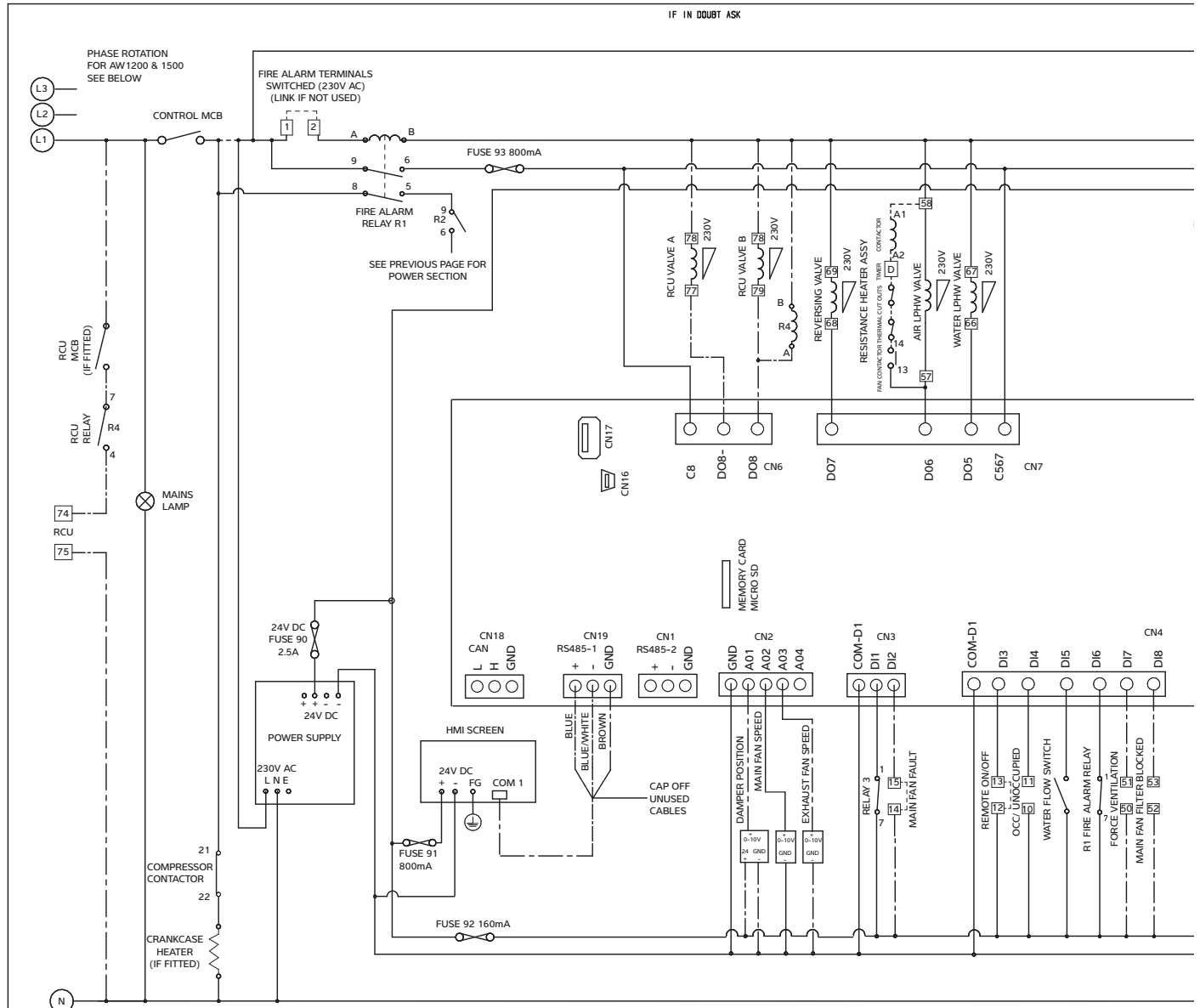
Frequencies recommended are as follows:

Model	Light/Medium use	Heavy use
Variheat		
AW1200 - AW1500	1 to 2 visits per year	2 to 3 visits per year

Filters may need more frequent inspection.

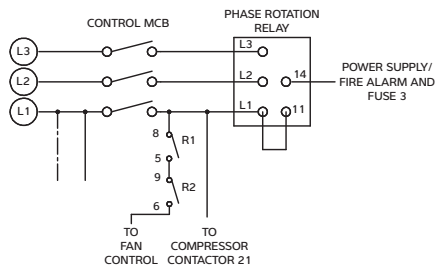
In order to comply with European Union F-Gas regulations, it is necessary to leak test hermetically sealed systems with more than 6kg refrigerant annually. The operator of the unit is responsible for seeing that this test is carried out. At the time of writing, the 6kg threshold means that Calorex Variheat AW600 to AW1500 models do not need leak testing. The operator should be aware that this may change and amend their maintenance schedule accordingly.

4.2 CIRCUIT DIAGRAMS



IF IN DOUBT ASK

1200 & 1500 VARIHEATS ONLY

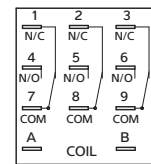


NOTES

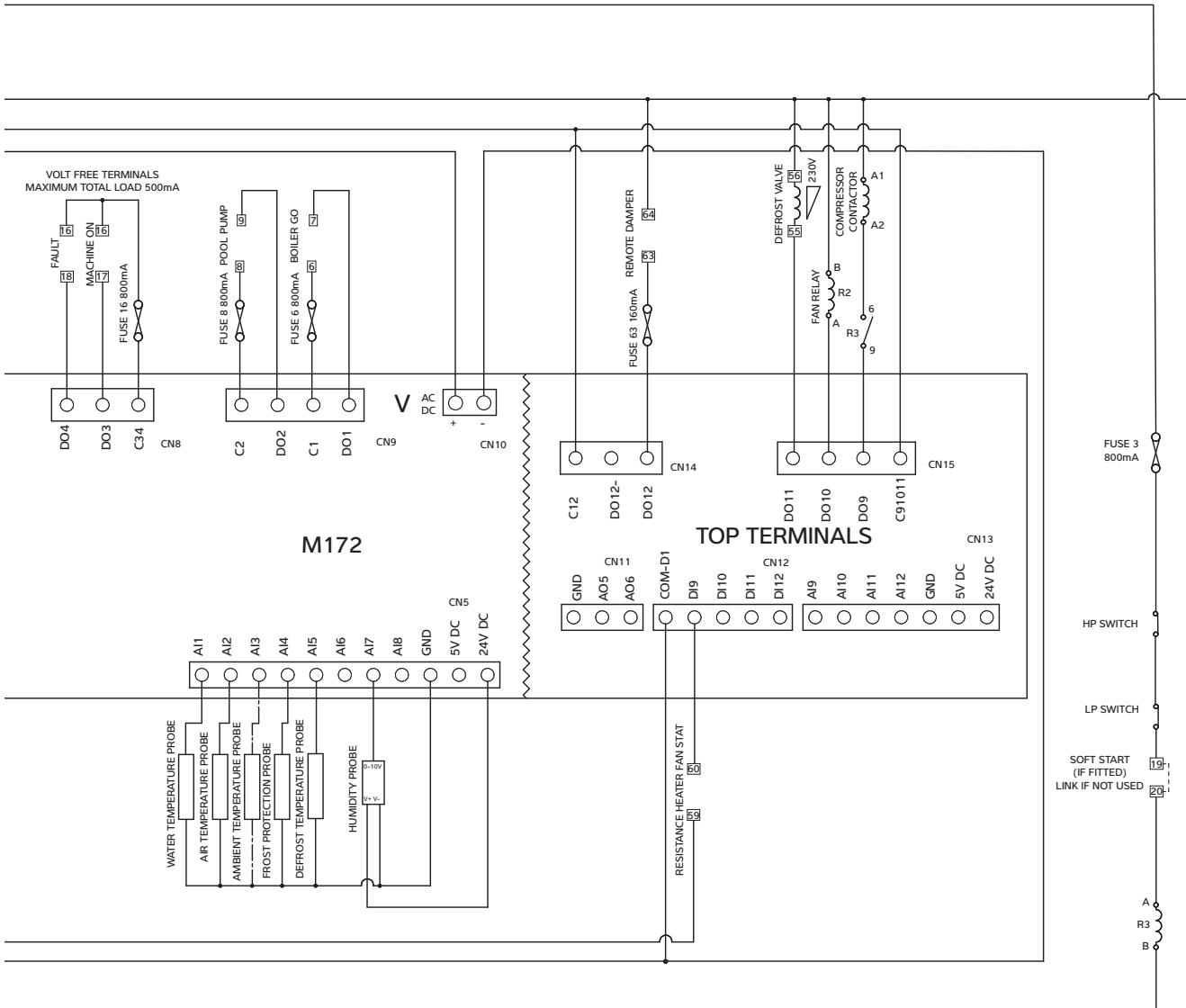
[15] = DIN RAIL MOUNTED TERMINAL BLOCK NUMBERS

- 2. IF REMOTE OCC/UNOCC FEATURE USED
- a) FORCE TIME CLOCK TO 'UNOCCUPIED'
- b) 10/11 N/O = 'UNOCCUPIED'
- c) 10/11 N/C = 'OCCUPIED'

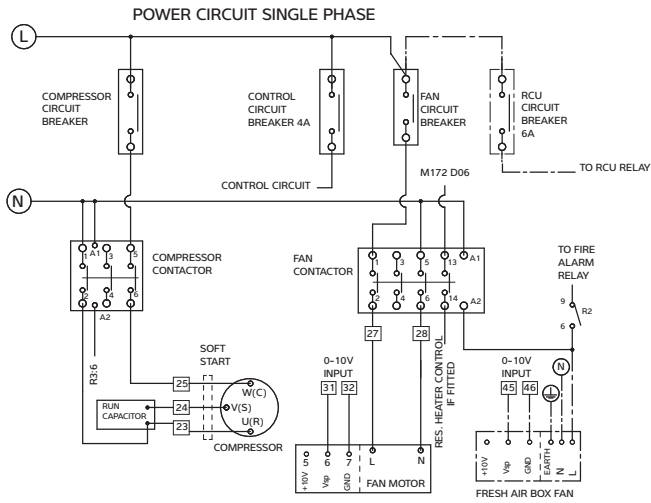
----- = OPTIONS



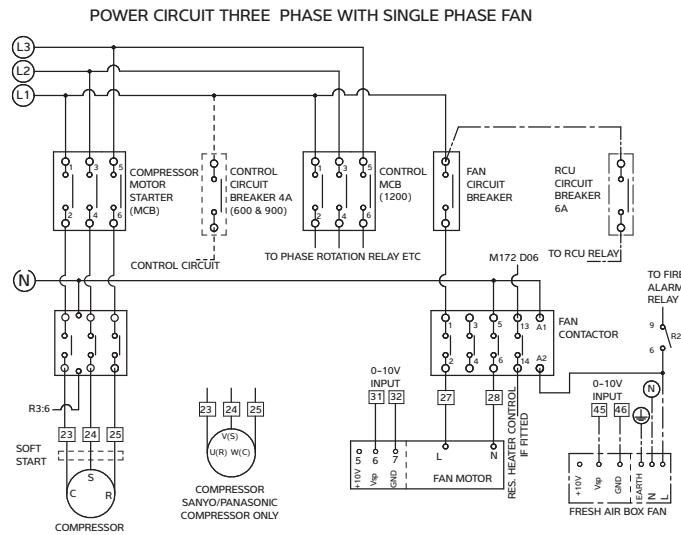
STANDARD RELAY FORMAT



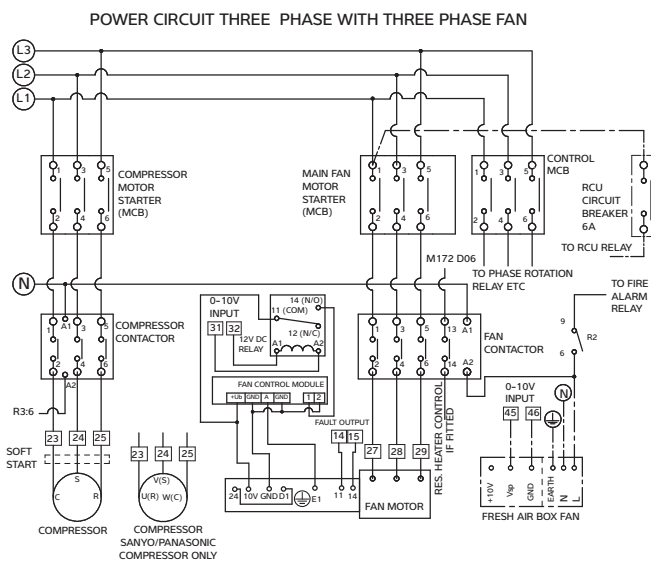
VARIHEAT AW SYSTEM OWNER INSTALLATION MANUAL



Model	Fan MCB Single phase	Compressor MCB
		Device value
AW1200AVHX(F) Nicotra	10A	32A
AW1200AVHX(F) Nicotra	20A	32A



Model	Fan MCB Single phase	Compressor MCB	
		Tripping current	Setting value
AW1200BVHX(F) Nicotra	10A	10.5A	8.8A
AW1200BVHX(F) Torin	20A	10.5A	8.8A



Model	Fan MCB		Compressor MCB	
	Tripping current	Setting value	Tripping current	Setting value
AW1500BVHX	4.2A	3.5A	14.4A	12.0A

5.0 DATA SHEET

Specifications	Units	AW1200A AW1200B	AW1500B
Dehumidification			
Heat pump dehumidification 30°C/60% RH	L/h	8.5	10.5
Total at 18°C dew point (summer) - if fresh air option fitted	L/h	9.5	11.3
Total at 7°C dew point (winter) - if fresh air option fitted	L/h	11.7	13.9
Heat to air			
Heat pump heat recovery - Mode A (priority to water)	kW	0	0
Heat pump heat recovery - Mode B (priority to air)	kW	10.0	14.0
Standard LPHW at 80°C flow - see section 5.1.1	kW	24.0	28.0
Upgraded LPHW at 55°C flow - see section 5.1.2	kW	20.4	23.8
Total - std. LPHW + Mode A/Mode B heat recovery	kW	24.0/30.0	28.0/36.0
Heat to pool water			
Heat pump heat recovery - Mode A (priority to water)	kW	10.0	12.5
Heat pump heat recovery - Mode B (priority to air)	kW	0	0
LPHW @ 80°C - see section 5.1.1	kW	30.0	40.0
LPHW @ 55°C - see section 5.1.2	kW	15.0	20.0
Total - std. LPHW + Mode A/Mode B heat recovery	kW	40.0/30.0	52.5/40.0
Flow rate pool water ± 10%	L/min	33	40
Pressure drop at rated flow	m/kPa	3.5/34.3	3.5/34.3
Maximum working pressure	bar	3.5	3.5
LPHW data			
Recommended min. boiler capacity (standard LPHW at 80°C)	kW	54	68
Recommended min. boiler capacity (upgraded LPHW at 55°C)	kW	36	44
Flow rate - standard LPHW	L/min	42	52
Flow rate - upgraded LPHW	L/min	64	74
Pressure drop at rated flow rate - standard LPHW	m/kPa	6.3/61.7	6.3/61.7
Pressure drop at rated flow rate - upgraded LPHW	m/kPa	4.5/44.1	4.9/48.0
LPHW system volume	L	3.2	3.2
Maximum working pressure	bar	6	6
Electrical data			
Typical high pressure system with constant flow fan	kW	3.6	5.1
Typical low pressure system with constant flow fan	kW	3.1	4.7
Minimum supply capacity (FLA) 230V/1N/50Hz	A	29	-
Minimum supply capacity (FLA) 400V/3N/50Hz	A	18	12
Maximum supply fuse 230V/1N/50Hz	A	42	-
Maximum supply fuse 400V/3N/50Hz	A	25	16
Main fan data - constant flow fans			
Design air flow (anemometer @ air on filter, wet evaporator) ± 10%	m ³ /h	3500	4300
Maximum external static pressure standard LPHW	Pa	290	350
Maximum external static pressure upgraded LPHW	Pa	178	320
Design running amps - 230V/1N fans	A	9.3	-
Design running amps - 400V/3N fans	A	-	1.4
FLA - 230V/1N fans	A	9.3	-
FLA - 400V/3N fans	A	-	4.0
Optional fresh air module			
Air flow	m ³ /h	0-900	0-900
Maximum external static pressure	Pa	100	100
Heat required for fresh air at -5°C	m ³ /h/kW	250/2.9	300/3.5
Optional electric air heater module - (separate power supply)			
Nominal power (two options per model)	kW	12 or 18	12 or 18
Minimum supply capacity (FLA) 230V/1N/50Hz	A	60 or -	60 or -
Minimum supply capacity (FLA) 400V/3N/50Hz	A	18 or 27	18 or 27
Maximum supply fuse 230V/1N/50Hz	A	63 or -	63 or -
Maximum supply fuse 400V/3N/50Hz	A	20 or 30	20 or 30
Compressor data			
Nominal power consumed	kW	2.5	3.4
Nominal RLA - 230V/1N/50Hz	A	16.6	-
Starting current 230V/1N/50Hz	A	100	-
Starting current 230V/1N/50Hz (with soft start)	A	34	-
Nominal RLA 400V-3N-50Hz	A	7.3	10.0
Starting current 400V/3N/50Hz	A	48	48
Starting current 400V/3N/50Hz (with soft start)	A	17	25
General data			
Hermetic refrigeration system - gas charge (R407c)	kg	2.9	3.0
Typical weight - unpacked	kg	230	240

For accurate project sizing consult the Dantherm Group or your local representative
 Mode A: heat recovery biased to pool water when pool water temperature not satisfied
 Mode B: heat recovery biased to pool hall air when pool water temperature satisfied
 R407c global warming potential (GWP): 1774

1L/minute = 0.22gallon/minute (Imperial)
 1mm water gauge = 9.8Pa
 1m head = 9.8kPa

5.1 LPHW HEATING DATA - VARIHEAT WITH STANDARD AIR HEATER

		flow °C	80	70	60	50	45
AW1200	standard air heating capacity	kW	24.0	19.2	14.4	9.6	7.2
	pool water heating capacity	kW	30.0	24.0	18.0	12.0	9.0
	recommended boiler capacity	kW	54.0	43.2	32.4	21.6	16.2
	LPHW flow rate	L/min	42	42	42	42	42
	return temperature air heating only	°C	71.8	63.4	55.1	46.7	42.5
	return temperature pool heating only	°C	69.8	61.8	53.9	45.9	41.9
		°C	61.6	55.3	48.9	42.6	39.5
		flow °C	80	70	60	50	45
AW1500	standard air heating capacity	kW	28.0	22.4	16.8	11.2	8.4
	pool water heating capacity	kW	40.0	32.0	24.0	16.0	12.0
	recommended boiler capacity	kW	68.0	54.4	40.8	27.2	20.4
	LPHW flow rate	L/min	52	52	52	52	52
	return temperature air heating only	°C	72.3	63.8	55.4	46.9	42.7
	return temperature pool heating only	°C	69.0	61.2	53.4	45.6	41.7
		°C	61.3	55.0	48.8	42.5	39.4

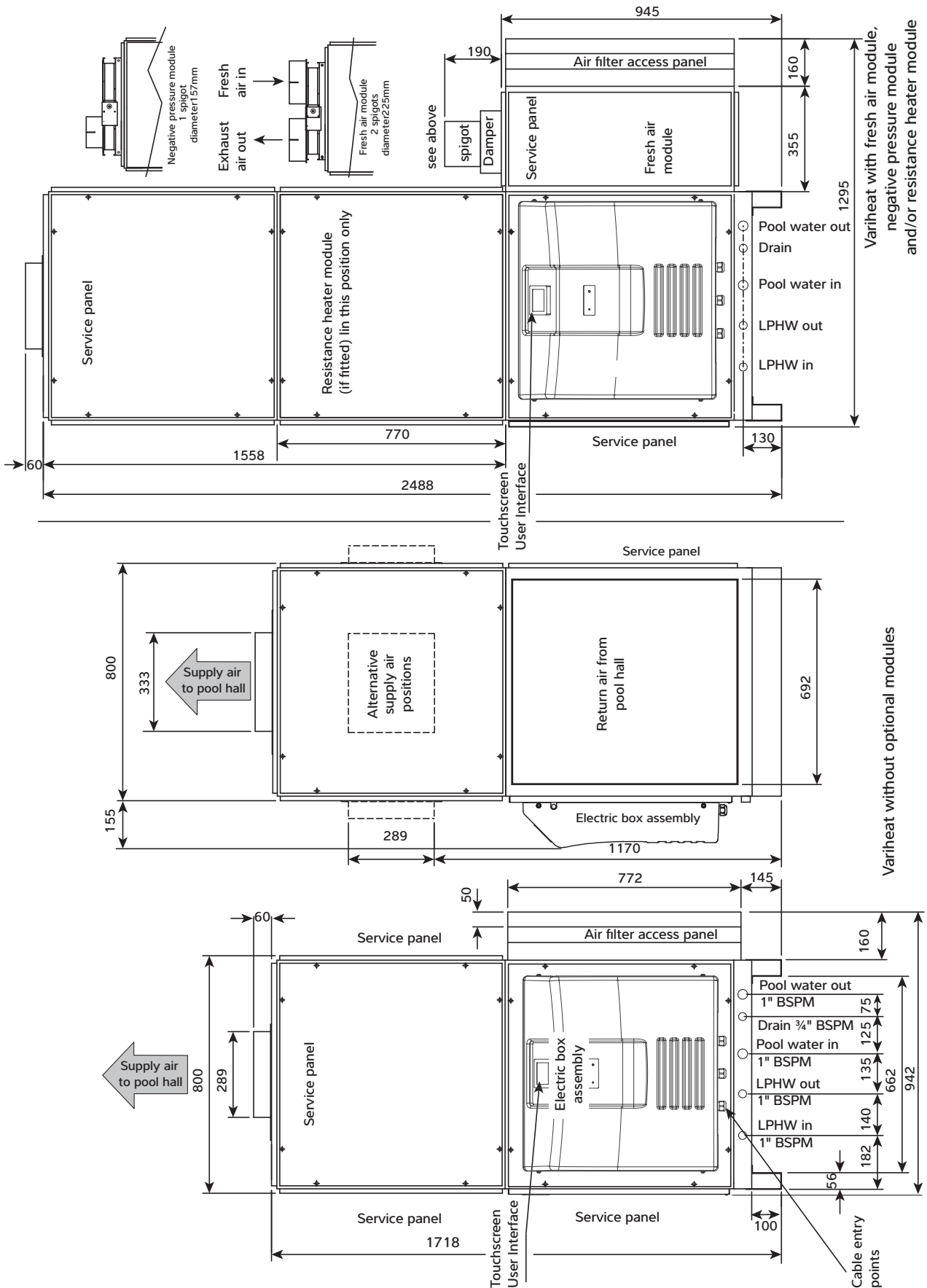
**5.2 LPHW HEATING DATA - VARIHEAT WITH UPGRADED AIR HEATER
(WHERE MODEL NUMBER INCLUDES +EC LPHW)**

		flow °C	65	60	55	50	45
AW1200	upgraded air heating capacity	kW	28.0	24.0	20.0	16.0	12.0
	pool water heating capacity	kW	21.0	18.0	15.0	12.0	9.0
	recommended boiler capacity	kW	49.0	42.0	35.0	28.0	21.0
	LPHW flow rate	L/min	64	64	64	64	64
	return temperature air heating only	°C	58.7	54.6	50.5	46.4	42.3
	return temperature pool heating only	°C	60.3	56.0	51.6	47.3	43.0
		°C	54.0	50.6	47.2	43.7	40.3
		flow °C	65	60	55	50	45
AW1500	upgraded air heating capacity	kW	32.7	28.0	23.3	18.7	14.0
	pool water heating capacity	kW	28.0	24.0	20.0	16.0	12.0
	recommended boiler capacity	kW	60.7	52.0	43.3	34.7	26.0
	LPHW flow rate	L/min	74	74	74	74	74
	return temperature air heating only	°C	58.7	54.6	50.5	46.4	42.3
	return temperature pool heating only	°C	59.6	55.4	51.1	46.9	42.7
		°C	53.2	49.9	46.6	43.3	40.0

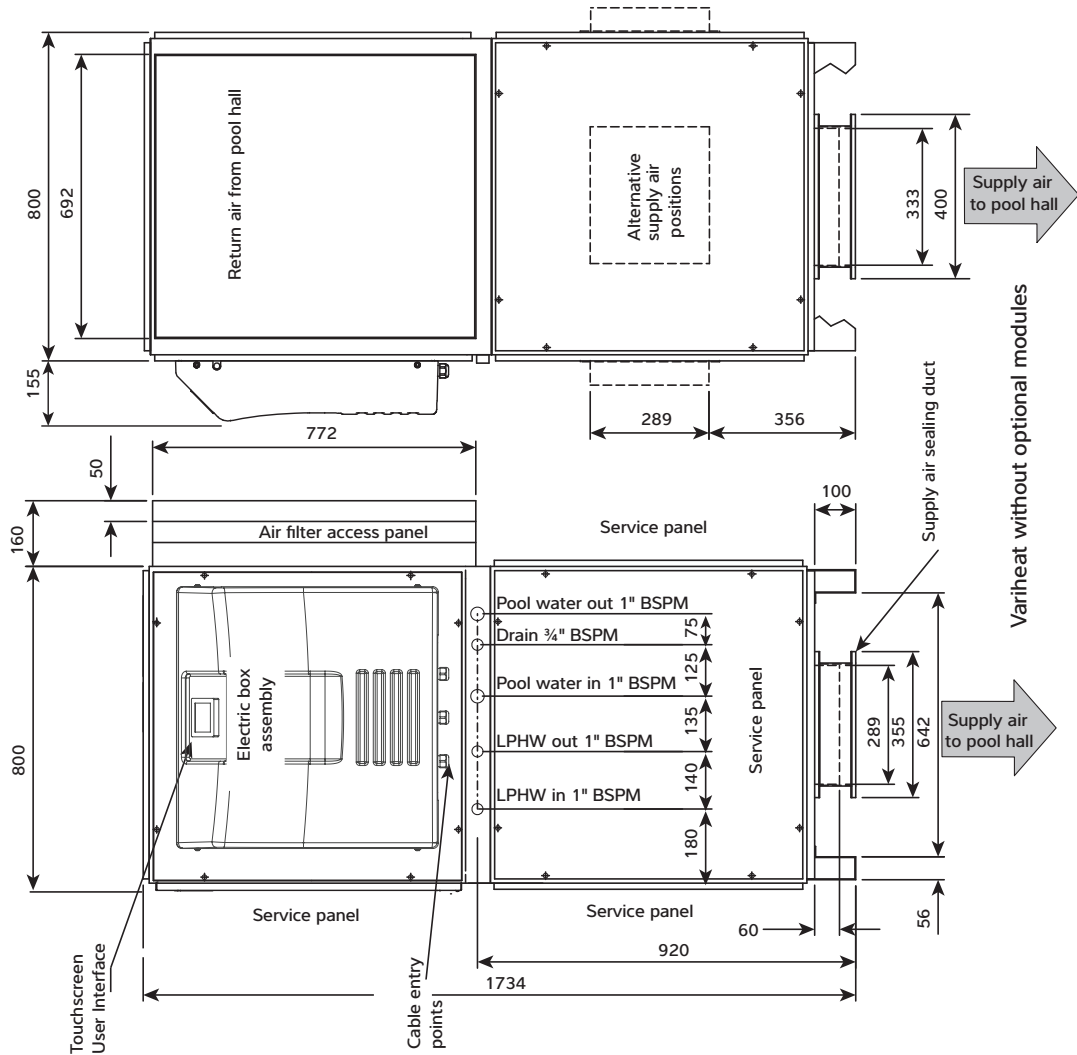
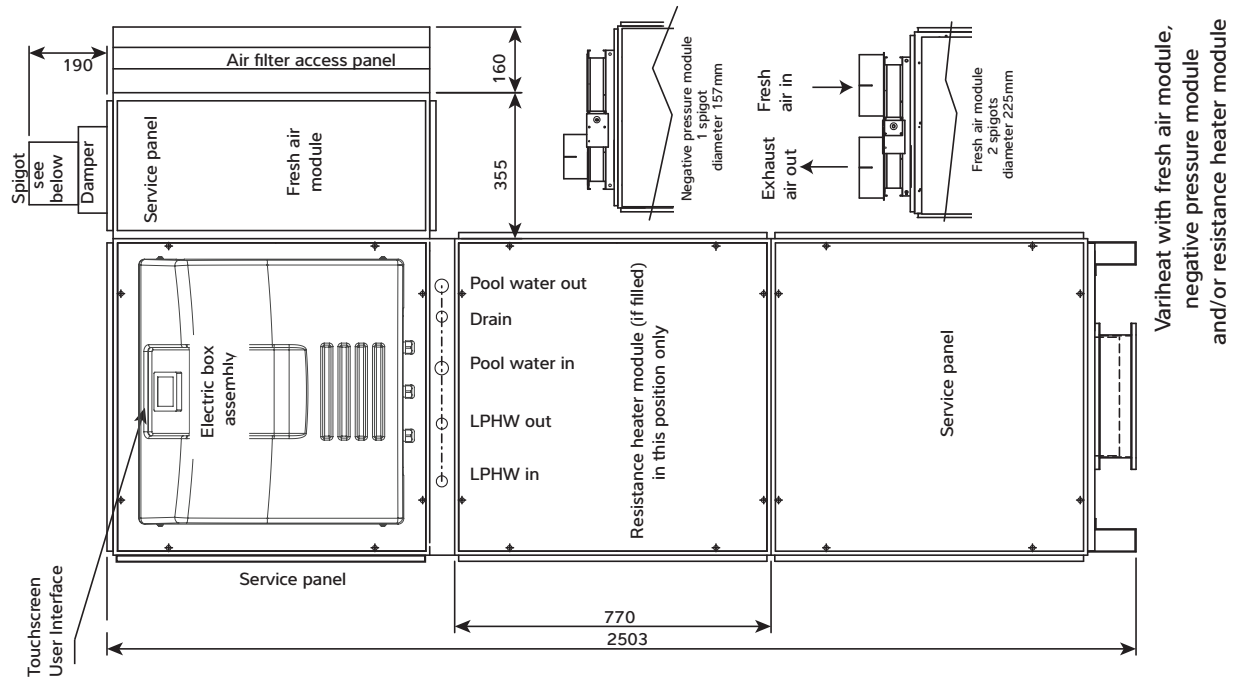
Data based on air 30°C, pool water 28°C

6.0 DIMENSIONS

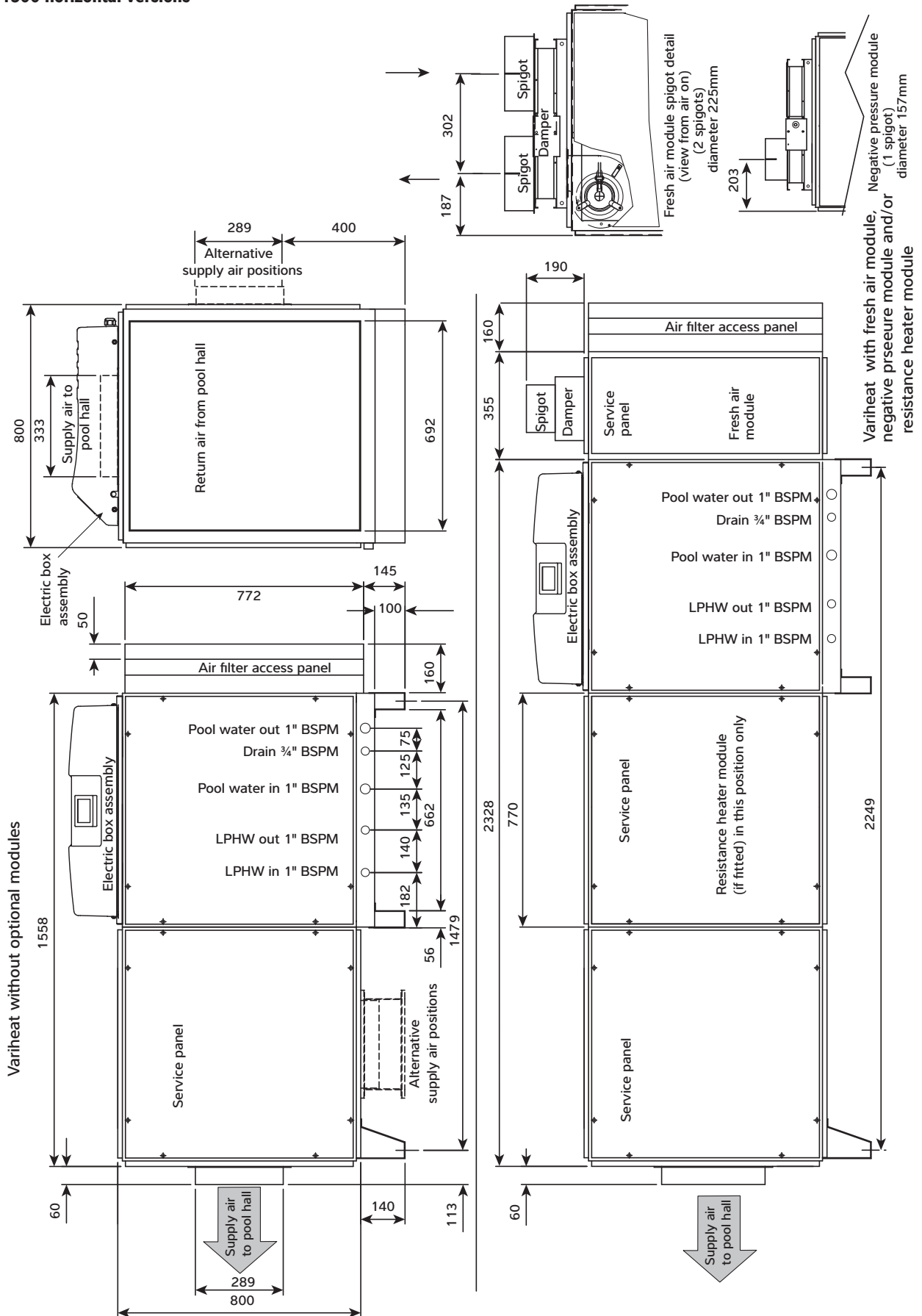
1200/1500 vertical, upflow versions



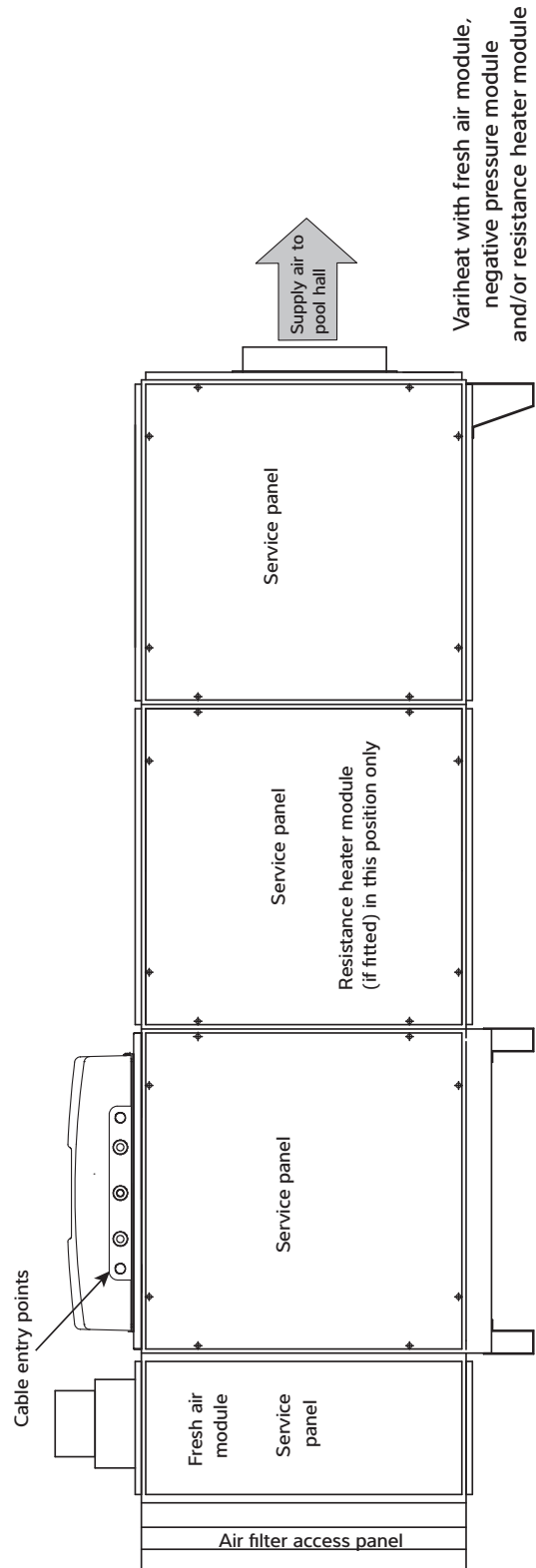
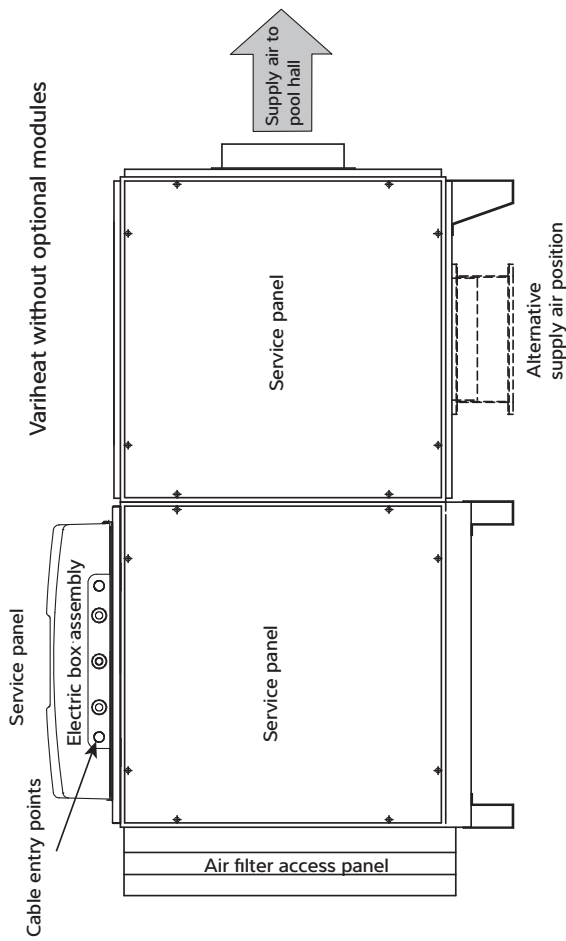
1200/1500 vertical, downflow versions



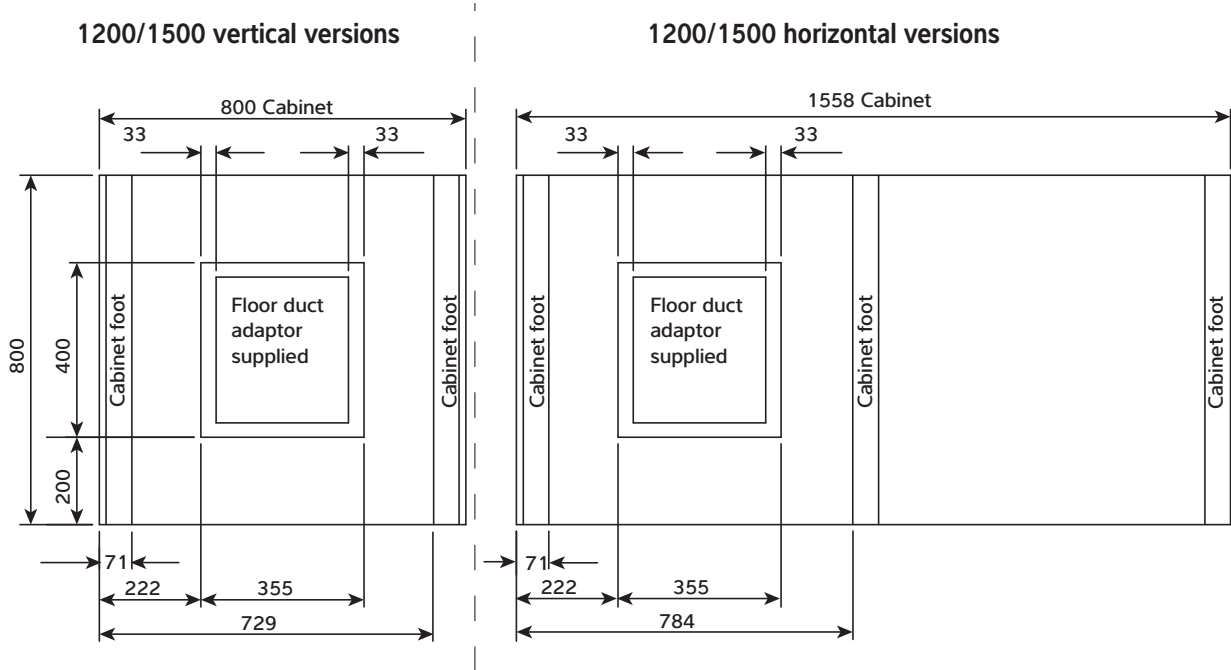
1200/1500 horizontal versions



1200/1500 horizontal versions viewed from opposite side



Bottom outlet versions, showing duct to floor detail

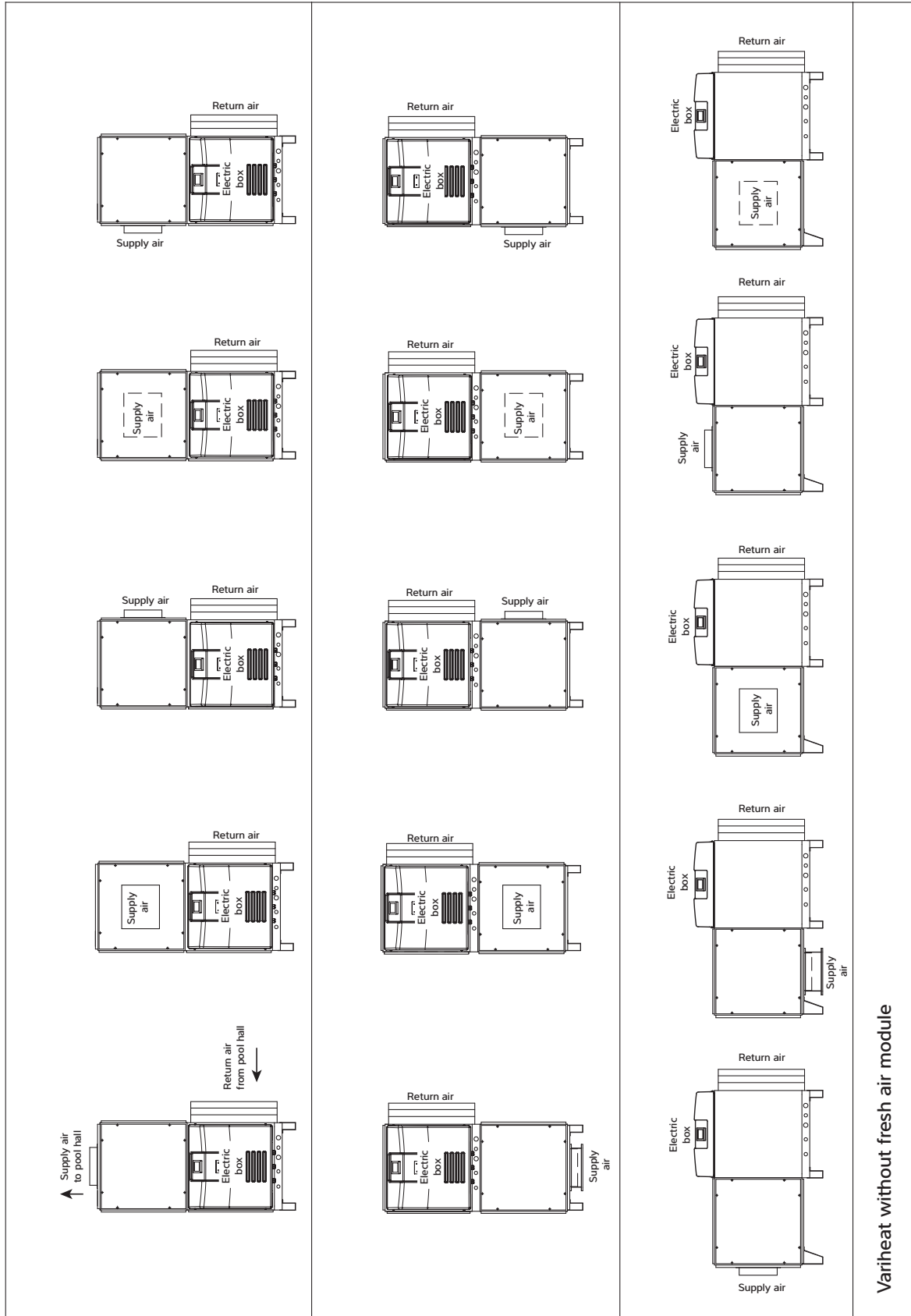


7.0 VARIHEAT CONFIGURATIONS

The Variheat can be supplied in a range of physical configurations.

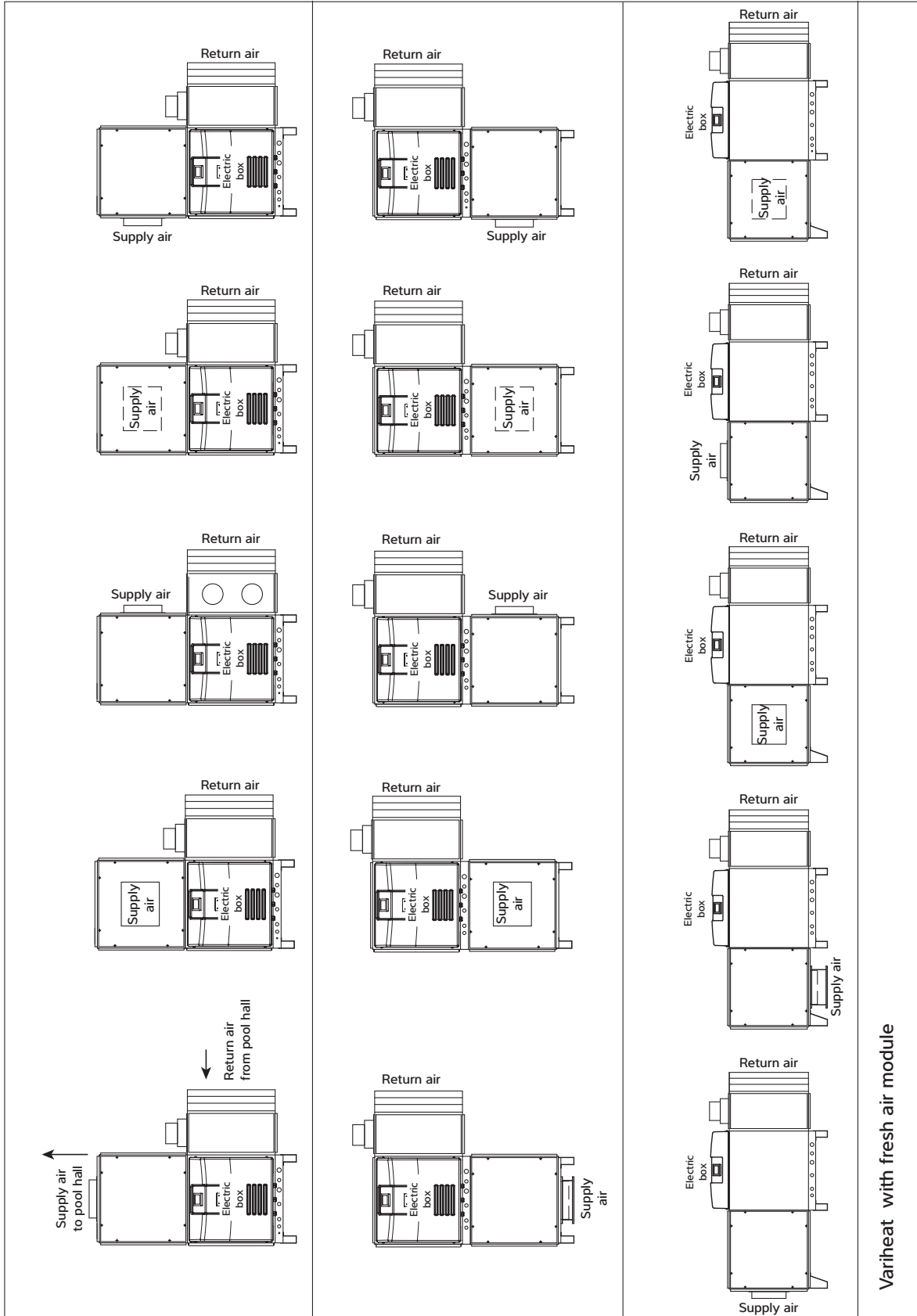
Versions with pipe connections on the opposite face are also available. See separate configuration guide.

Variheat without fresh air module



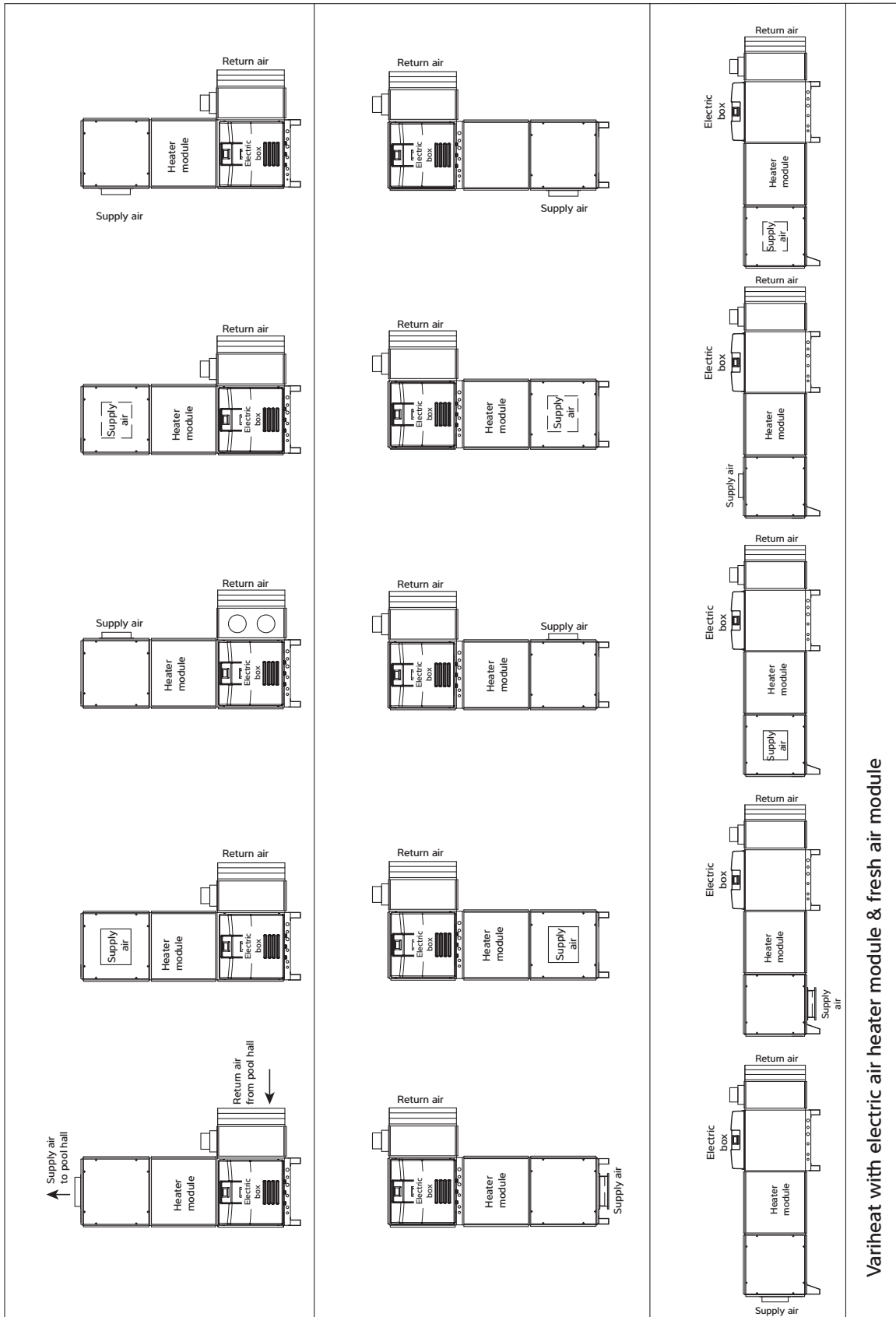
Variheat without fresh air module

Variheat with fresh air module



Variheat with fresh air module

Variheat with fresh air module and electric heater module



Variheat with electric air heater module & fresh air module

8.0 WARRANTY CONDITIONS

One year manufacturer's warranty is valid from the date of commissioning or 18 months from delivery, whichever is sooner.

Where commissioning is provided in the UK and Ireland, this must be carried out by factory trained and approved personnel.

The following exclusions apply to the Warranty given by Dantherm Ltd. No claims will be accepted if:

1. The heat pump is installed in any way that is not in accordance with the current procedures as defined by Dantherm Ltd.
2. The heat pump has not been maintained in accordance with service requirements in section 4.1 Regular Planned Maintenance.
3. The heat pump has been worked upon or is adjusted by anyone other than a person authorised to do so by Dantherm Ltd.
4. The heat pump is incorrectly sized for the application.
5. The water flow through the machine is outside the specified limits.
6. The water pH level and/or chemical balance is outside the following limits:

Acidity pH	pH	7.2 - 7.8
Total Alkalinity, as CaCO ₃	ppm	80 - 120
Total Hardness, as CaCO ₃	ppm	150 - 250
Total Dissolved Solids	ppm	1000
Maximum Salt Content	ppm	8000
Free Chlorine Range	ppm	1 - 2 Domestic
Free Chlorine Range	ppm	3 - 6 Commercial
Superchlorination	max	30ppm for 24 hrs
Bromine	ppm	2 - 5
Baquacil	ppm	25 - 50
Ozone	ppm	0.9 Max
Maximum Copper Content	ppm	1
Aquamatic Ionic Purifier	ppm	2 Max

7. The heat pump has suffered frost damage.
8. The electrical supply is insufficient or in any way incorrect.
9. The fan amps and duct pressure are outside the specified limits.
10. The air flow to and from the machine is outside the specified limits.
11. Corrosion is present due to poor air quality that has not been attended to.

If in doubt or if advice is required please contact the Dantherm Group UK Service Department by calling 01621 856611 (option4) or emailing service.department@dantherm.com

Note: The Reply Paid Warranty Registration Card must be returned, to ensure that the correct warranty is given. If you do not find a Registration Card with your heat pump please contact the Dantherm Group UK Service Department giving your name, address and serial number of your heat pump. A card will be sent to you for completion.

Please give **MODEL NUMBER** and **SERIAL NUMBER** of your heat pump when making technical or service enquiries. This will assist in correct diagnosis and ensure service can be provided with the minimum delay.

Dantherm A/S

Marienlystvej 65
DK-7800 Skive
Denmark
t. +45 96 14 37 00

Dantherm Ltd.

Unit 12, Galliford Road
Maldon CM9 4XD
United Kingdom
t. +44 (0)1621 856611

Dantherm GmbH

Oststraße 148
22844 Norderstedt
Germany
t. +49 40 526 8790

Dantherm S.p.A.

Via Gardesana 11
37010 Pastrengo (VR)
Italy
t. +39 045 6770533

Dantherm Sp. z o.o.

ul. Magazynowa 5a
62-023 Gądk
Poland
t. +48 61 65 44 000

Dantherm SP S.A.

C/Calabozos 6
(Polígono Industrial)
28108 Alcobendas, Madrid
Spain
t. +34 91 661 45 00

Dantherm SAS

23 rue Eugène Hénaff
69694 Vénissieux Cedex
France
t. +33 4 78 47 11 11

Dantherm AS

Løkkeåsveien 26
3138 Skallestad
Norway
t. +47 33 35 16 00

Dantherm AB

Fridhemsvägen 3
602 13 Norrköping
Sweden
t. +46 (0)11 19 30 40

Dantherm LLC

Transportnaya 22/2
142800, Stupino
Moscow
Russia
t. +7 (495) 642 444 8

MCS China

Unit 2B, No. 512
Yunchuan Road
Baoshang, Shanghai, 201906
China
t. +8621 61486668

AirCenter AG

Täferstrasse 14
CH-5405 Baden Dättwil
Switzerland
t. +41 43 500 00 50

Contact:

Dantherm Ltd.

Unit 12, Galliford Road
Maldon CM9 4XD
United Kingdom
t. +44 (0)1621 856611

KEEP UPDATED

FOLLOW US ON:

